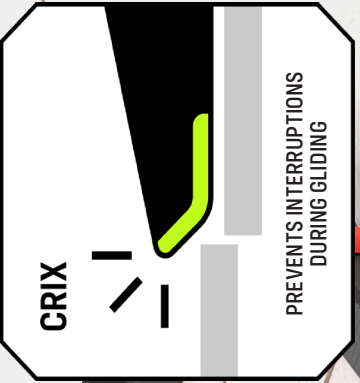
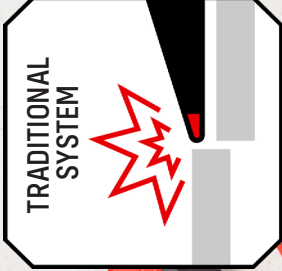
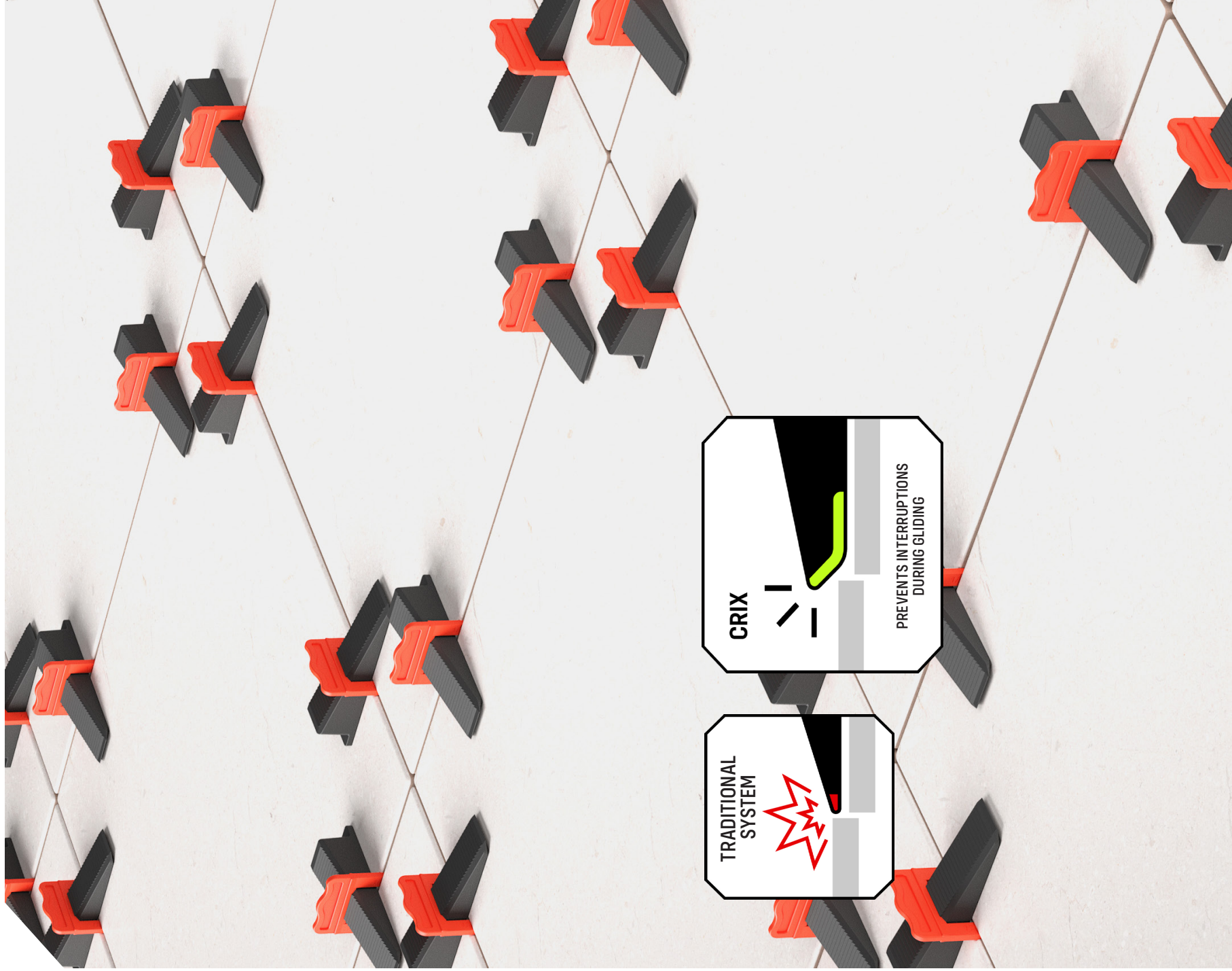


erix[®]

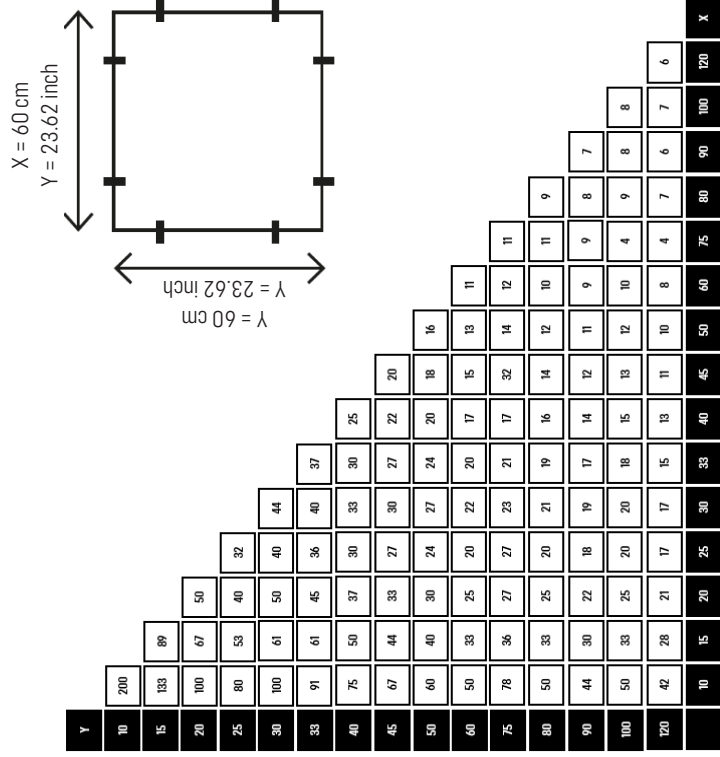


PRODUCED IN
BELGIUM BY SOLIDOR





**“PERFECT TILES,
EVERY TIME.
REVOLUTIONARY
SIMPLICITY.”**



Use the diagram to calculate the number of clips per square meter.

CRIX[®]

A FASTER AND A MORE EFFICIENT INSTALLATION

The patented rounded design prevents interruptions and ensures a faster and more efficient installation. Crix guarantees a flat placement and a seamless finish for tile floors and walls.
Ready for the floor!



CRIX wedge

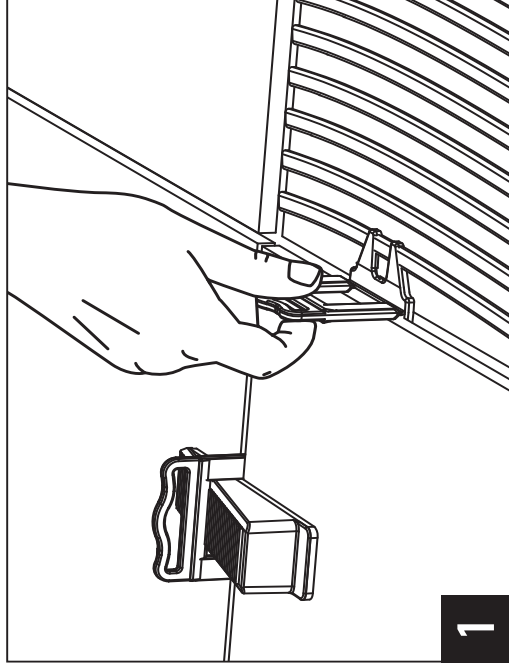
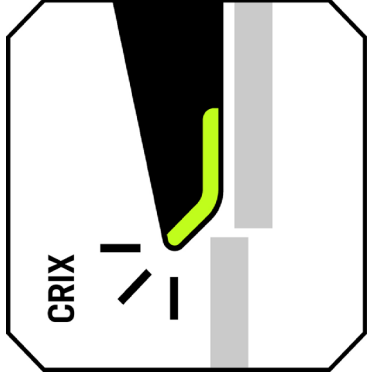


WEDGE

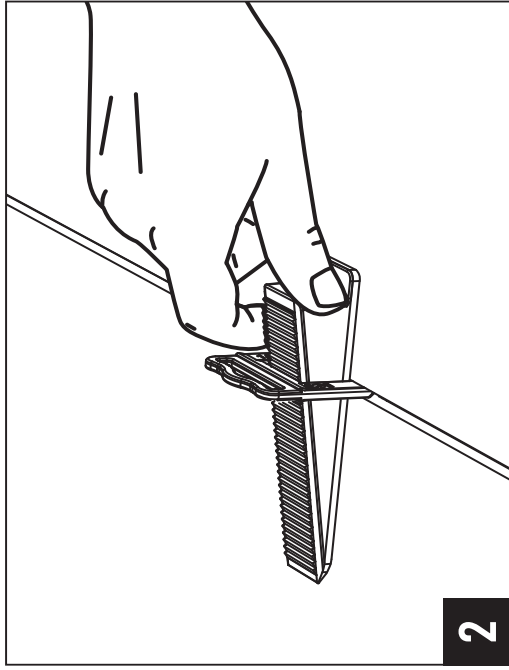
Made from sturdy, durable material designed for long-term use, the patented rounded design prevents interruptions.

Available in bags of 250 pieces.

WATCH THE PLACEMENT
VIDEO VIA THIS QR-CODE
OR VIA SOLIDOR.BE/EN/
CRIX



1



2

TILES WITH A THICKNESS OF
3 - 13 MM



CRIX clips 1 mm
1/32 inch

CRIX clips 1.5 mm
1/16 inch

CRIX clips 2 mm
1/13 inch

CRIX clips 3 mm
1/8 inch

TILES WITH A THICKNESS OF
12 - 22 MM



CRIX clips XL 1.5 mm
1/16 inch

CRIX clips XL 3 mm
1/8 inch

CRIX clips XL 5 mm
3/16 inch



CLIPS

Joint widths of 1 - 1.5 - 2 - 3 mm, suitable for tile thicknesses from 3 to 13 mm or 1/8 to 1/2 inch. Also available are the XL clips, which are 1.5 mm, 3 mm and 5 mm thick and suitable for tile thicknesses of 12-22 mm or 1/2 to 7/8 inch. Optimized for easy clip breakage without leaving residues in the joint, it breaks where it should.

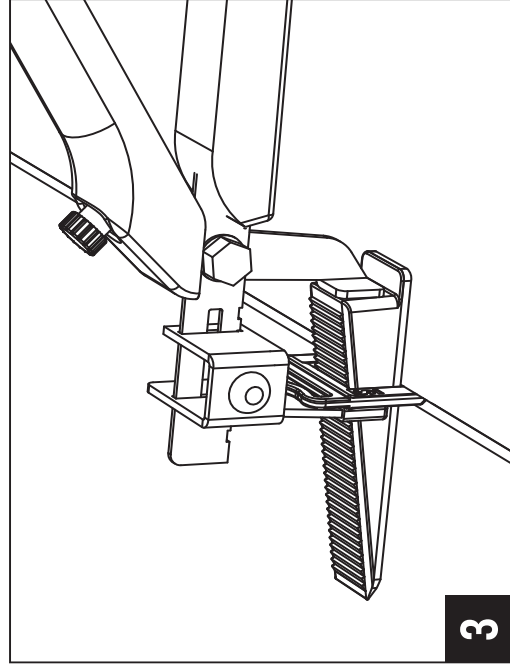
Available in bags of 250/500 pieces. The clips XL are available in bags of 250 pieces.

PLIER

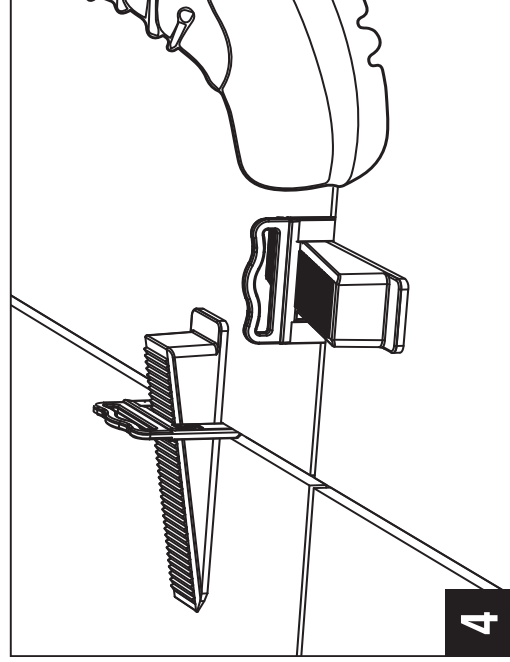
You can easily slide the wedges into the clips with the Crix pliers.



CRIX plier



3



4

QUESTIONS?

Kouterstraat 11 b
8560 Wevelgem
Belgium

T +32 56 41 85 70
info@solidor.be

solidor.be

CLIX[®]