

SOLIDOR

PEDESTALS FOR
WOOD AND WPC





**PIONEER IN
ADJUSTABLE
PEDESTALS
SINCE 1978**



S

A SIMPLE AND MODULAR TERRACE SYSTEM THAT ADAPTS TO ANY SITUATION AND ENVIRONMENT

SOLIDOR produces a solid and aesthetic (outdoor) solution for the installation of terraces on any surface. Our modular terrace pedestals have a high quality finish and are made entirely of durable, low maintenance and environmentally responsible materials.

Thanks to the modular design of the various pieces, the system offers a wide range of possibilities, and it can be used in the most complex situations and environments.

EPD

ENVIRONMENTAL PRODUCT DECLARATIONS: EP CERTIFICATE

When it comes to sustainability, we like to demonstrate this through our EPD study. EPD is assessed by the FOD Public Service Health and complies with ISO 14025 + EN 15804+A2.

With pride, we have obtained our certificate confirming our minimal CO² impact, as we strive for fully carbon-neutral production. This allows us to evaluate the environmental impact of our adjustable pedestals throughout their entire lifecycle, including production, packaging, installation, and use.



ECOLOGICAL AND RESPONSIBLE

Our terrace pedestals are made of recycled plastics for minimal environmental impact. There is no waste during the production process, and used terrace pedestals can be reused or recycled in in-house production, for a completely circular life cycle.

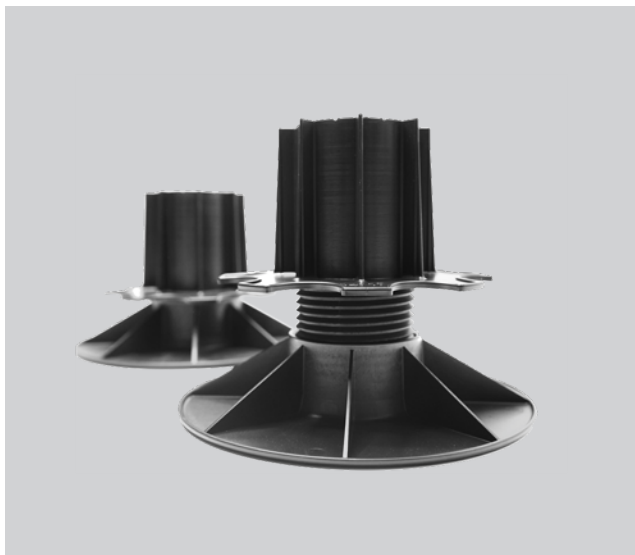
To this end, we have been awarded the Ecovadis bronze certificate in 2022. This certificate is awarded on the basis of a company's degree of sustainability. Our aim is to work even more sustainability in the future. This QR code will give you an idea of our current efforts to contribute to a sustainable world.





MODULAR AND AESTHETIC

SOLIDOR offers a wide range of possibilities with a high standard of finish for the most complex situations and environments. Because the pedestals are infinitely adjustable in height with extreme precision, any terrace can be laid completely level, regardless of the slope or the type of substrate. The system is easy to install without any construction or demolition work, and it also offers the possibility of connecting the patio seamlessly to the building.



TESTED AND PROVEN

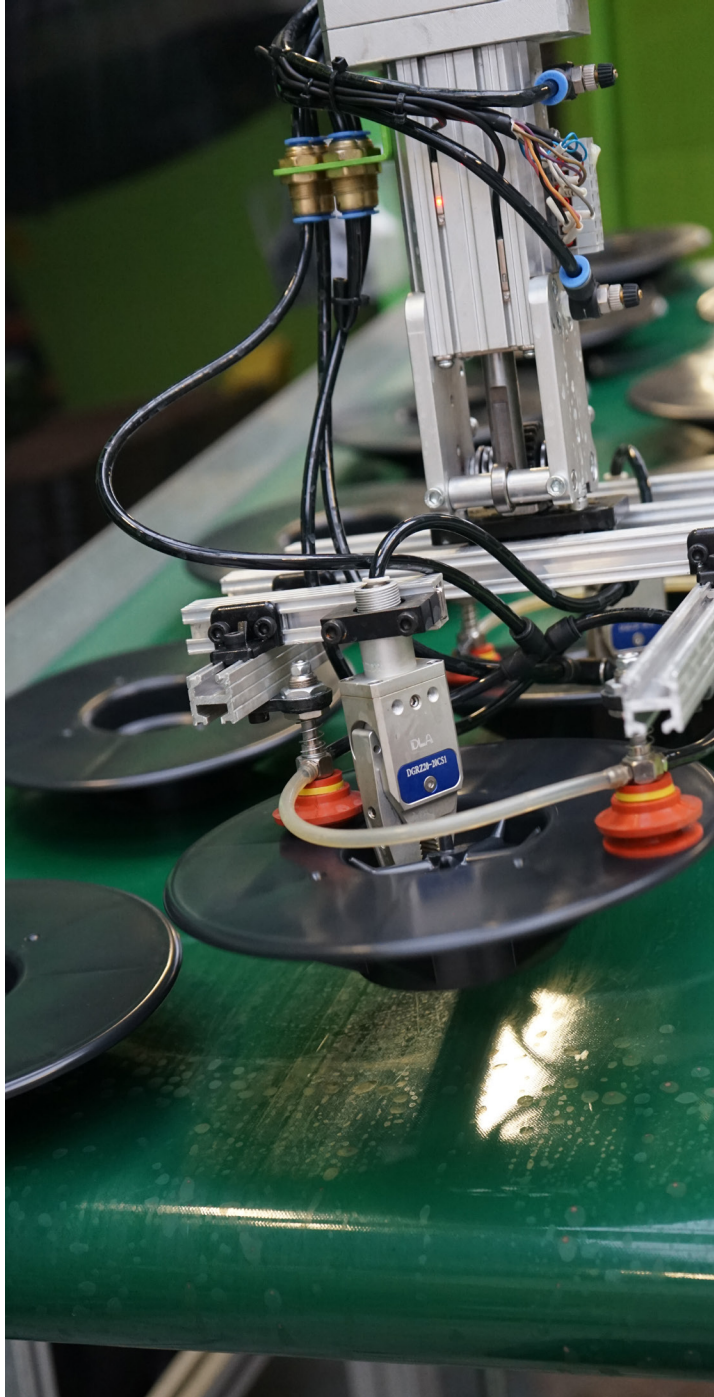
Our adjustable terrace pedestals are a proven system that has been used since 1978 in various outdoor applications. Our systems are continually tested and are stable, wind-resistant and water-permeable. We manufacture them entirely in-house and test them under the most extreme weather conditions. By using plastic, the adjustable terrace pedestals offer good sound insulation and in addition, they are also available in fire-retardant versions.





**IN-HOUSE
PRODUCTION,
FROM A TO Z**









1978

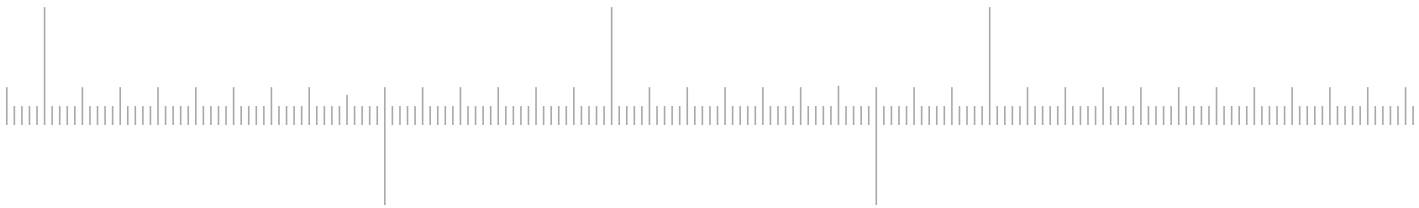
Bernard Dejans and his wife Monique start producing adjustable terrace pedestals.

1984

Emmanuel Dejans, son of Bernard and Monique, joins the family business.

2007

Sons Emmanuel and Olivier take over the tasks of Bernard and Monique in the Lauwe branch.



1982

Purchase of the first extrusion line for the production of rubber plastic profiles.

1990

Olivier Dejans, brother of Emmanuel, joins the family business.



2018

Production of flexible and technical plastic profiles moved to new industrial building.



2021

Solidor Rubber and Products is divided into SOLIDOR, RUBIDOR and Dextr.

2013

Purchase of office in Wevelgem as an extension to the injection-moulding department.



2024

SOLIDOR is expanding its range with an invisible system for wooden shelves on facades, ceilings and terraces, under the brandname Linup.



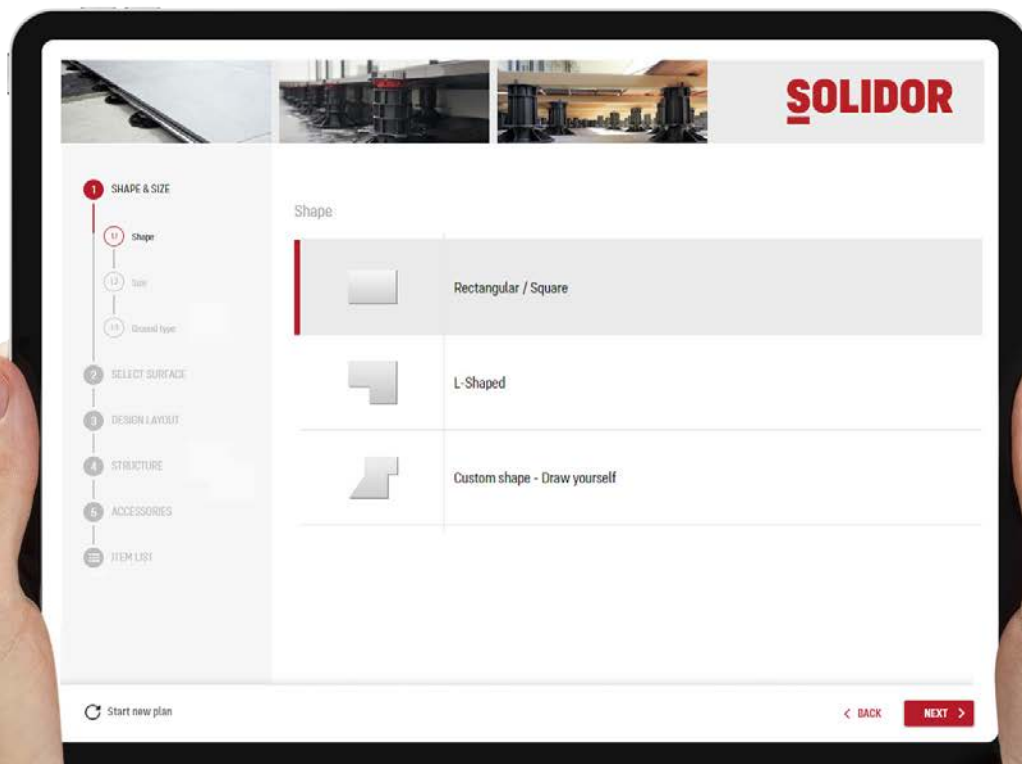
AVAILABLE WORLDWIDE



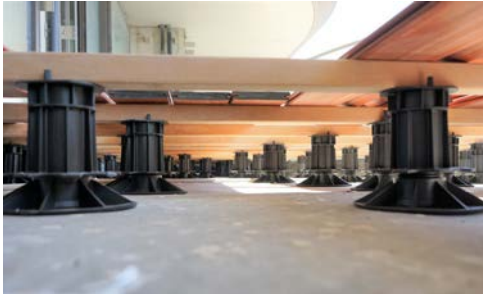
TERRACE PEDESTAL CALCULATOR

Our calculator will calculate the amount of terrace pedestals and accessories you need for your project.

Discover the app on: calculator.solidor.be



**THE PERFECT
SOLUTION FOR
EVERY TYPE OF
TERRACE**



TERRACE PEDESTALS FOR WOOD AND COMPOSITE TERRACE

P. 17



LOW TERRACE PEDESTALS FOR CONCRETE OR CERAMIC TILES

P. 45



FIRESOL FIREPROOF PEDESTALS

P. 53



DEQSOL ALUMINIUM SUPPORT SYSTEM

P. 57



LIFTSOL FOUNDATION SYSTEM

P. 61



GRAVIERSOL GRAVEL STABILISATION

P. 67

COMFORT

PREMIUM

FIRESOL

DEQSOL

LIFTSOL

GRAVIERSOL

linup

Aluminium profiles for the installation of wooden shelves for terraces, facades and ceiling. See back of catalog.

A NEW STANDARD



Reference Senzafine Kortrijk

COMFORT TERRACE PEDESTALS

The Comfort range is a series of modular terrace pedestals, and consists of **fixed (from 10 mm/0.39 inch) and adjustable terrace pedestals (from 23 mm/0.91 inch)**. The adjustable pedestals are continuously adjustable in height from 23 millimetres/0,91 inch to 1 metre/39.37 inch. The system consists of several components and accessories, specifically focused on the challenges of wooden terraces. The combination of the various components allows for modularity and flexibility, and guarantees a high degree of finish.



ADJUSTABLE TERRACE PEDESTALS



PV 2.3/3.5

Range: 23 - 35 mm
0.91 - 1.38 inch



PV 3.5/5

Range: 35 - 50 mm
1.38 - 1.97 inch



PV 5/8

Range: 50 - 80 mm
1.97 - 3.15 inch



PV 8/11

Range: 80 - 110 mm
3.15 - 4.33 inch



PV 11/14

Range: 110 - 140 mm
4.33 - 5.51 inch



PV 14/17

Range: 140 - 170 mm
5.51 - 6.69 inch

Can be combined with:

- Top plate p. 21
- Slope correctors p. 23
- Extension pieces p. 24
- Accessories p. 25

ALSO AVAILABLE IN

ADJUSTABLE TERRACE PEDESTALS WALL VERSION



AK 3.5/5

Range: 35 - 50 mm
1.38 - 1.97 inch



AK 5/8

Range: 50 - 80 mm
1.97 - 3.15 inch

The AK pedestals allow to install the tiles perfectly stable against the wall.



IPV

For added damping, the terrace pedestals are provided with a rubber mat. This protective layer is sound and shock absorbing, insulating and provides extra grip.



GV

These terrace pedestals are glass-fibre reinforced and so have added bearing force making them perfectly suitable for heavy structures.



FR

These terrace pedestals are fire retardant and made of flame-retardant material, a property that is often required.

UNIVERSAL TOP PLATE FOR ADJUSTABLE TERRACE PEDESTALS



CPV+

- Supports wooden beams
- Optional fixation along bottom or side
- Is combined with an adjustable pedestal of choice
- Self-centring

Five different assembly options





Reference Baelskaai One Ostend

SLOPE CORRECTORS



HA5

- Automatic slope corrector
- Improves slope differences up to max. 5%
- Can be combined with various accessories
- HA5 is mounted on the PV

Height: 20 mm
0.79 inch



**CORRECT SLOPE
DIFFERENCES WITH
OUR HA5**





HS2

- Improves slope differences by 2%
- Stackable up to 10%
- Is mounted under the terrace pedestal

EXTENSION PIECES



F30

- Increases the range of a pedestal by 30 mm/1.18 inch
- Stackable



AF100

- Increases the range of a terrace pedestal by 100 mm/3.94 inch
- Screwable onto each other
- With threaded connection

Can be combined with one another

ACCESSORIES



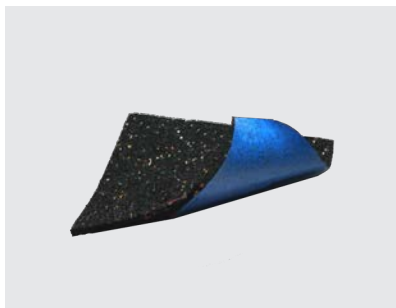
PROTECTIVE RUBBER SMALL + PE FILM

- Sound-absorbing, cushioning, and water-permeable
- The PE-film under the protective rubber is ideal for installing a terrace on adjustable pedestals placed on a PVC waterproofing membrane. It helps prevent damage to your waterproofing membrane.
- Also available without a PE-film layer in 3, 5 or 10 mm / 0.12, 0.20 or 0.39 inch

Dimensions: 96 x 96 mm
3.78 x 3.78 inch

Thickness: 6 mm
0.24 inch





PROTECTIVE RUBBER LARGE + PE FILM

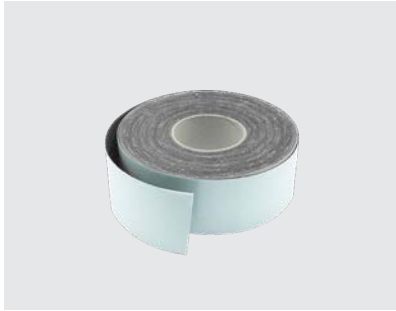
- Sound-absorbing, cushioning, and water-permeable
- The PE-film under the protective rubber is ideal for installing a terrace on adjustable pedestals placed on a PVC waterproofing membrane. It helps prevent damage to your waterproofing membrane.
- Also available without a PE-film layer in 3, 5 or 10 mm/ 0.12, 0.20 or 0.39 inch

Dimensions: 210 x 210 mm
8.27 x 8.27 inch

Thickness: 6 mm
0.24 inch



ACCESSORIES



WATERPROOF STRIP 50 MM

- Sound-absorbing, cushioning and water resistant protective layer
- Prevents decay of underlying support beams

Dimensions: 20.000 x 50 mm
787.40 x 1.97 inch

Thickness: 2 mm
0.08 inch

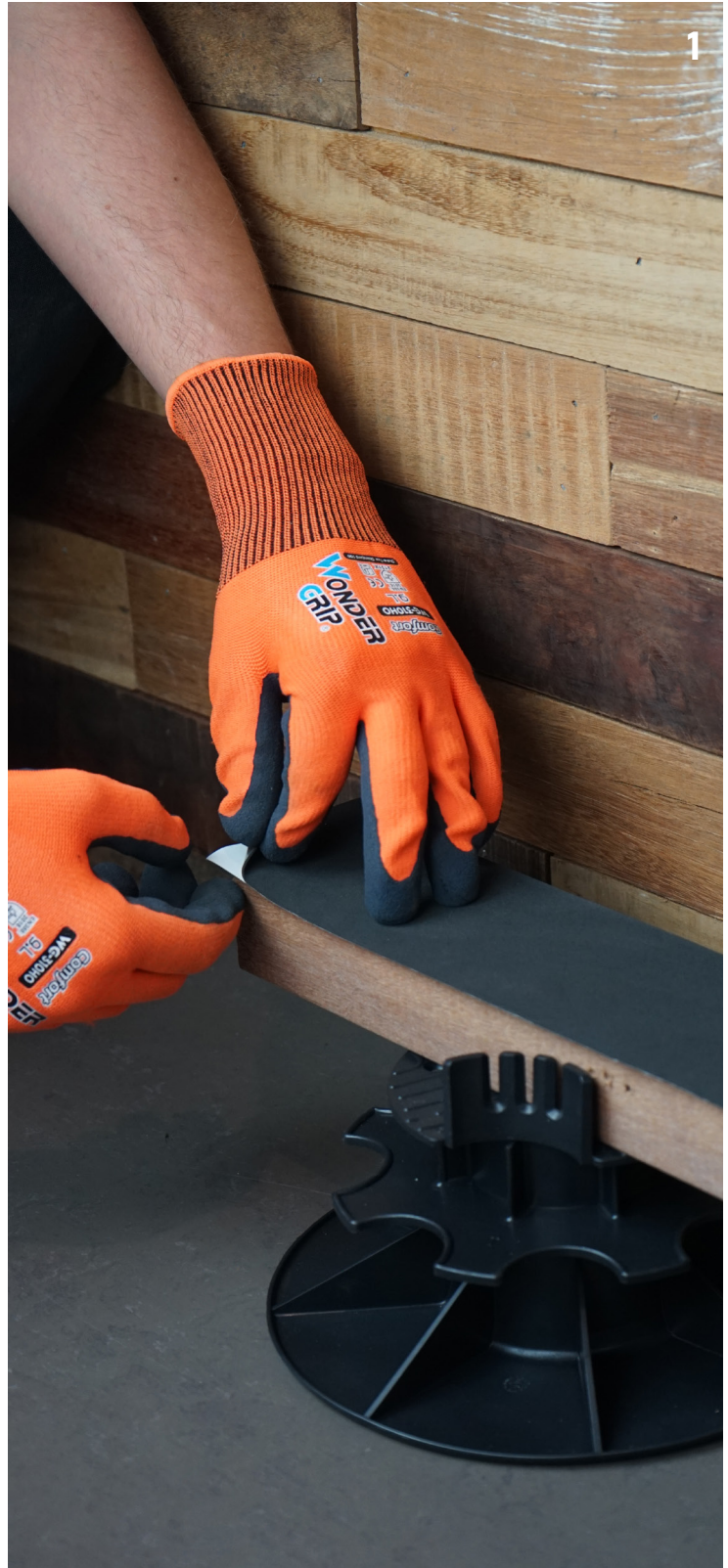


WATERPROOF STRIP 80 MM

- Sound-absorbing, cushioning and water resistant protective layer
- Prevents decay of underlying support beams

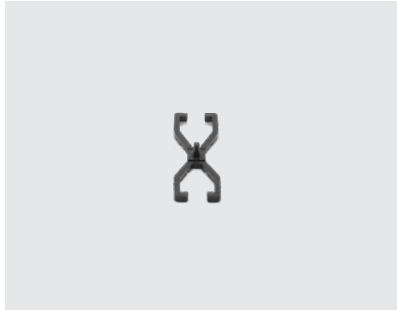
Dimensions: 20.000 x 80 mm
787.40 x 1.97 inch

Thickness: 2 mm
0.08 inch





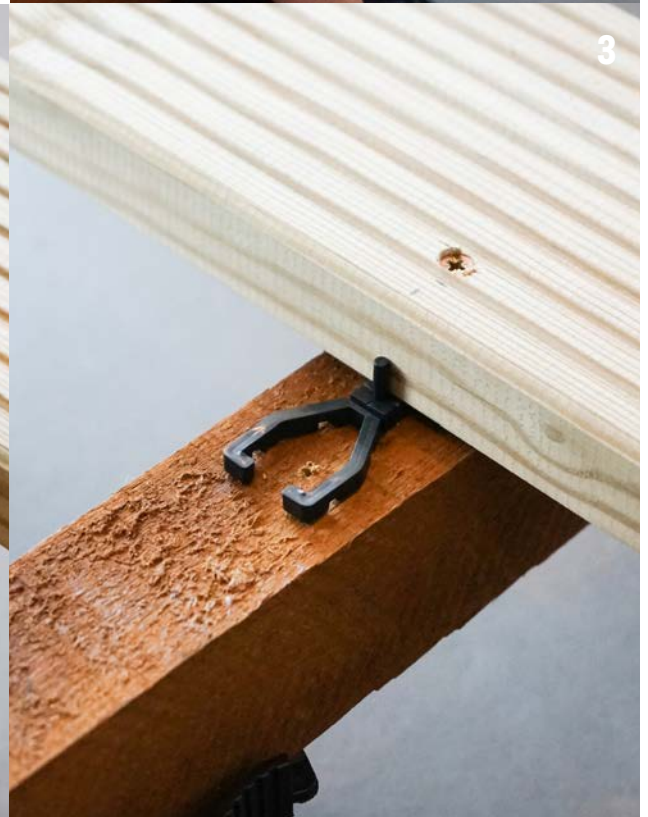
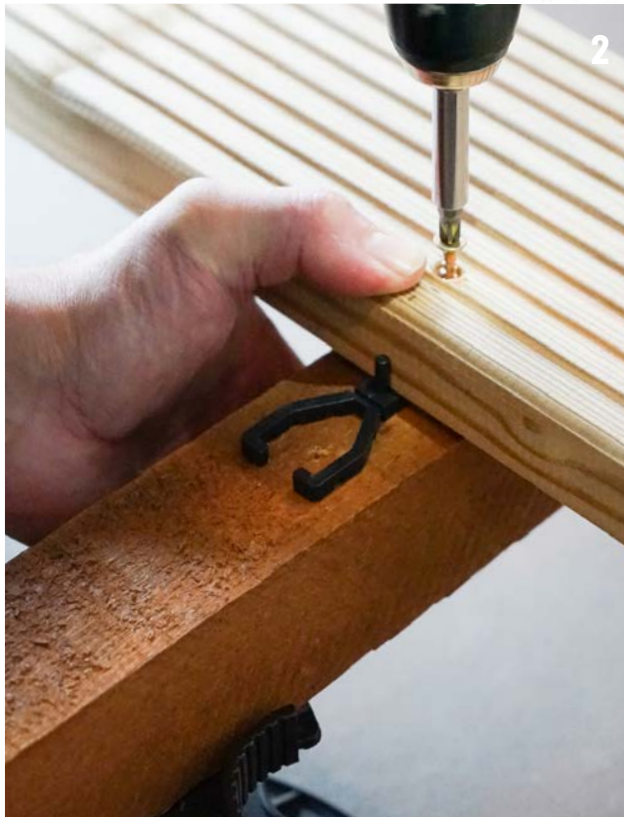
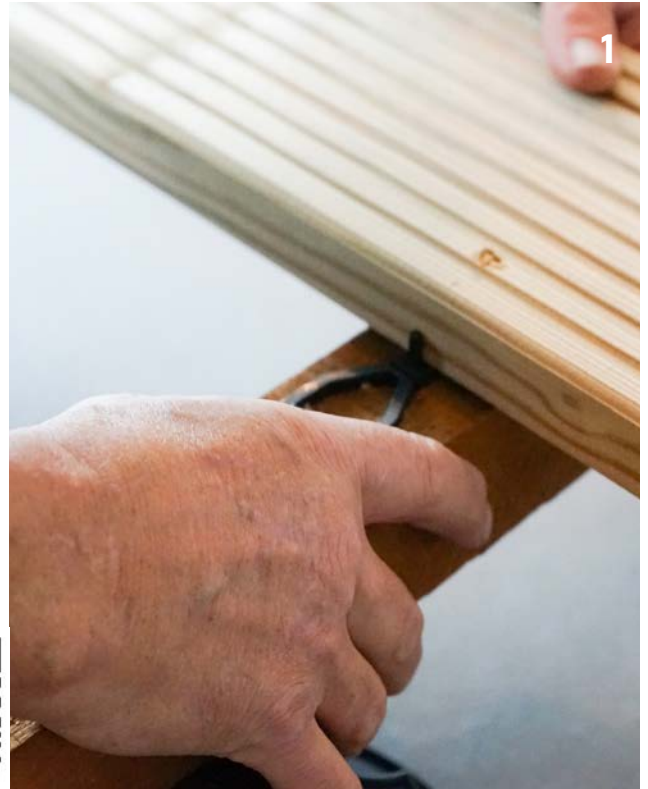
ACCESSORIES



SPACER

- Prevents contact of wooden planks and underlying support beams
- Prevents flooding
- Provides a smooth joint
- Extends the life span of your terrace

Joint width: 4 mm
0.16 inch





SOLASTICK

- No visible screws on the terrace surface
- Prevents flooding
- Extends the life span of your terrace

Height: 10 mm
0.39 inch



ACCESSORIES



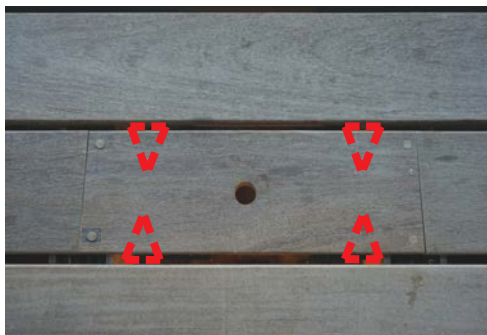
SOLASWITCH

- This system allows you to easily remove the decking board without having to dismantle the entire terrace.
- It acts as a lock that needs to be turned to remove the board.
- Not visible on the terrace surface.

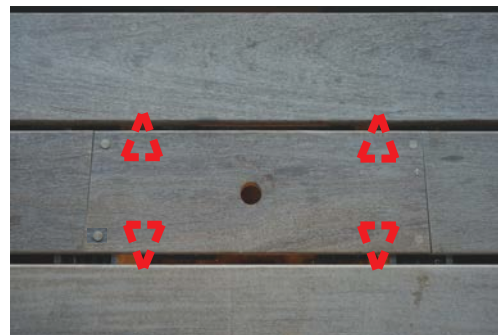
Height: 8 mm
0.315 inch

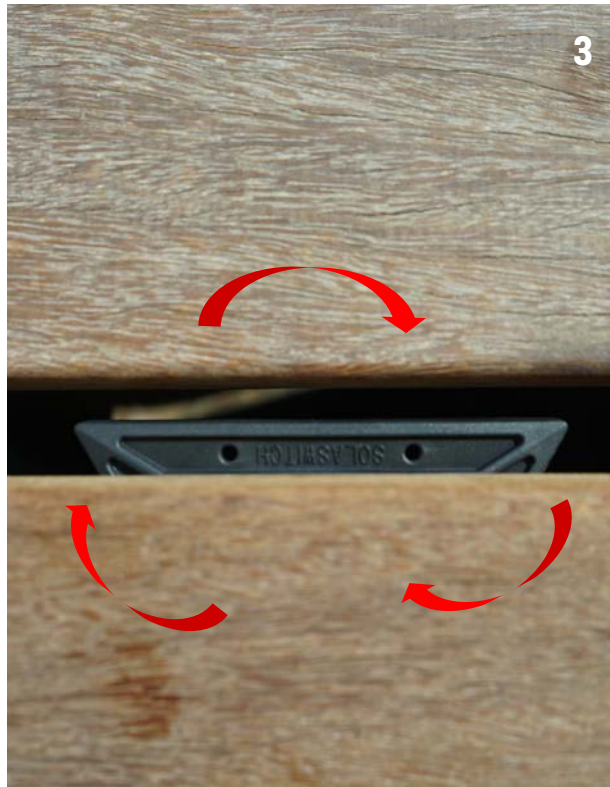


OPEN



CLOSED





A SIMPLE INVISIBLE LOCK TO OPEN AND CLOSE A WOODEN HATCH



Reference private terrace Kortrijk



Reference Sky Tower One Ostend

FIXED TERRACE PEDESTALS



RC 10 + CIPV+

- Protective layer for roof cladding
- Supports aluminium and wooden beams
- Shock and sound absorbing

Height: 10 mm
0.39 inch



RC 14 + CIPV+

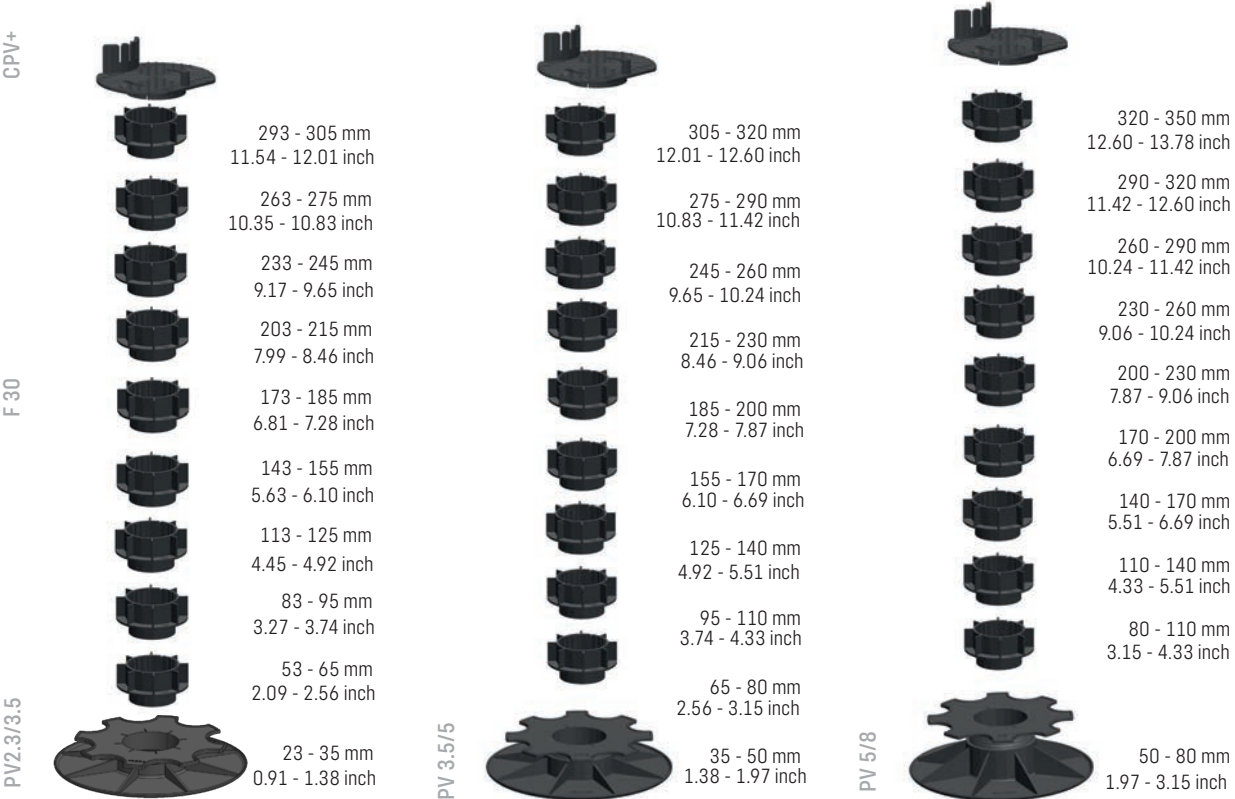
- Protective layer for roof cladding
- Supports aluminium and wooden beams
- Shock and sound absorbing

Height: 14 mm
0.55 inch

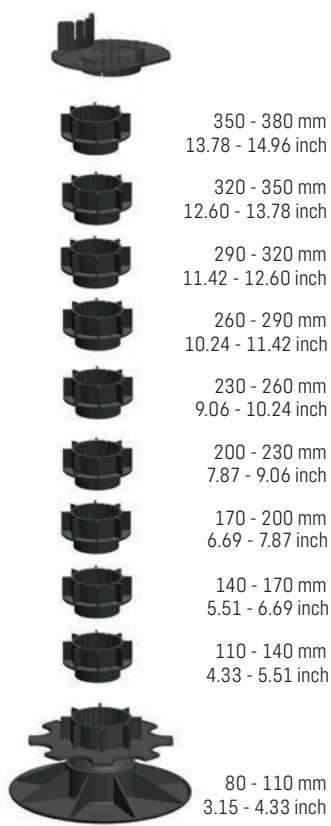


GRAPHIC REPRESENTATION OF HEIGHTS

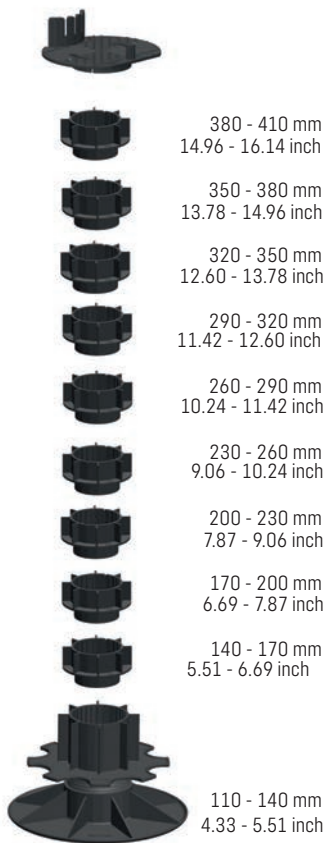
F30



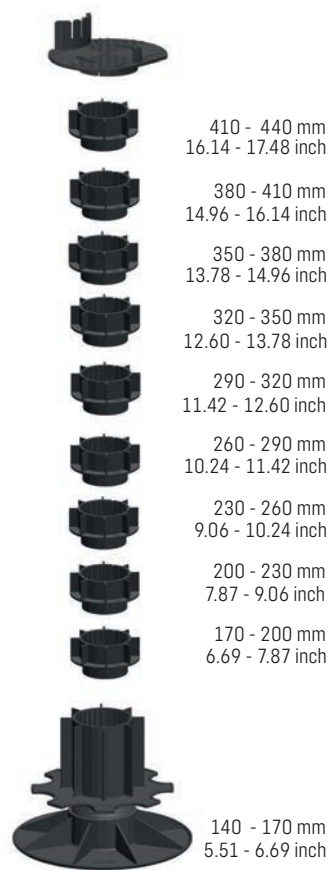
PV 8/11



PV 11/14

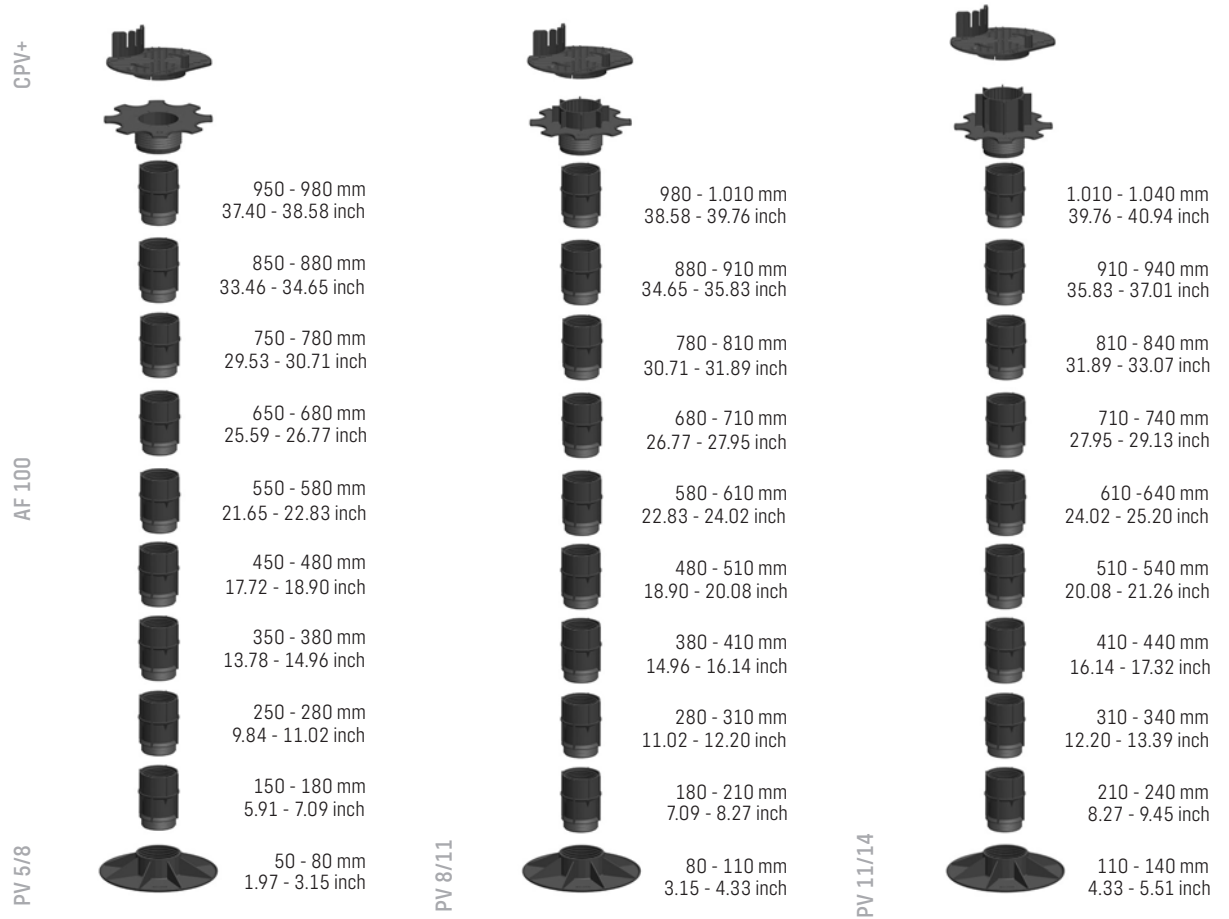


PV 14/17

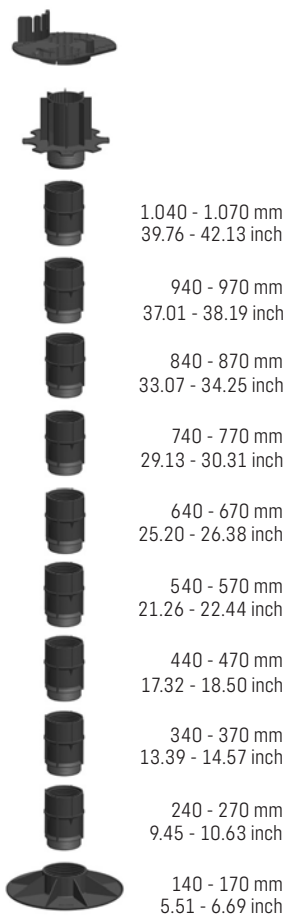


GRAPHIC REPRESENTATION OF HEIGHTS

AF100



PV 14/17







Reference Leietop, Deinze





Reference private terrace, Poperinge

THE STRENGTH OF SMALL



ISI

PREMIUM TERRACE PEDESTALS

Premium is a generation of adjustable terrace pedestals with minimal dimensions for maximum possibilities. The Premium range consists of a **modular system from 17 millimeters (= 0.669 inch) to 150 millimeters (= 5.906 inch)**, a slope corrector, a threaded mechanism with a locking end, and additional features for fixing the terrace pedestal with glue or screws.





ADJUSTABLE TERRACE PEDESTALS



P17

- Provides the answer to low heights
- Is combined with a top plate of choice

Range: 17 - 23 mm
0.67 - 0.91 inch



P30

- Is combined with a top plate of choice

Range: 30 - 48 mm
1.18 - 1.89 inch

Can be combined with:

- Top plate p. 49
- Slope corrector p. 49
- Extension pieces p. 50



TOP PLATE



C2V+

- Supports beams
- Width between legs: 102 mm/ 4.02 inch
- Optional fixation along bottom or side
- Self-centring

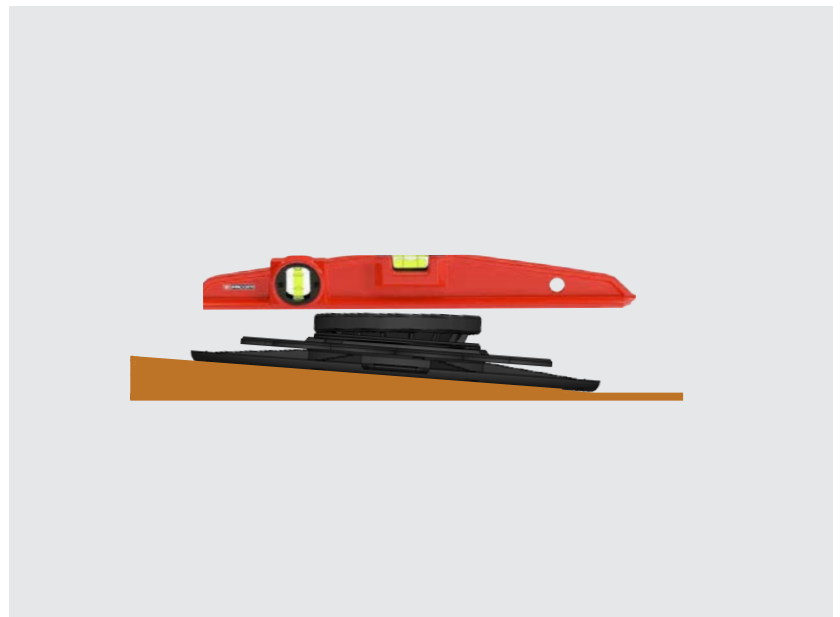
SLOPE CORRECTOR



E10

- Automatically ensures the correct inclination when placing
- Automatically corrects surface unevenness up to 5 %

Height: 10 mm
0.39 inch



EXTENSION PIECES



S5

- Each extension piece increases the adjustable terrace pedestal by 5 mm/ 0.20 inch
- Stackable

Height: 5 mm
0.20 inch

S15

- Each extension piece increases the adjustable terrace pedestal by 15 mm/ 0.59 inch
- Stackable

Height: 15 mm
0.59 inch

S50

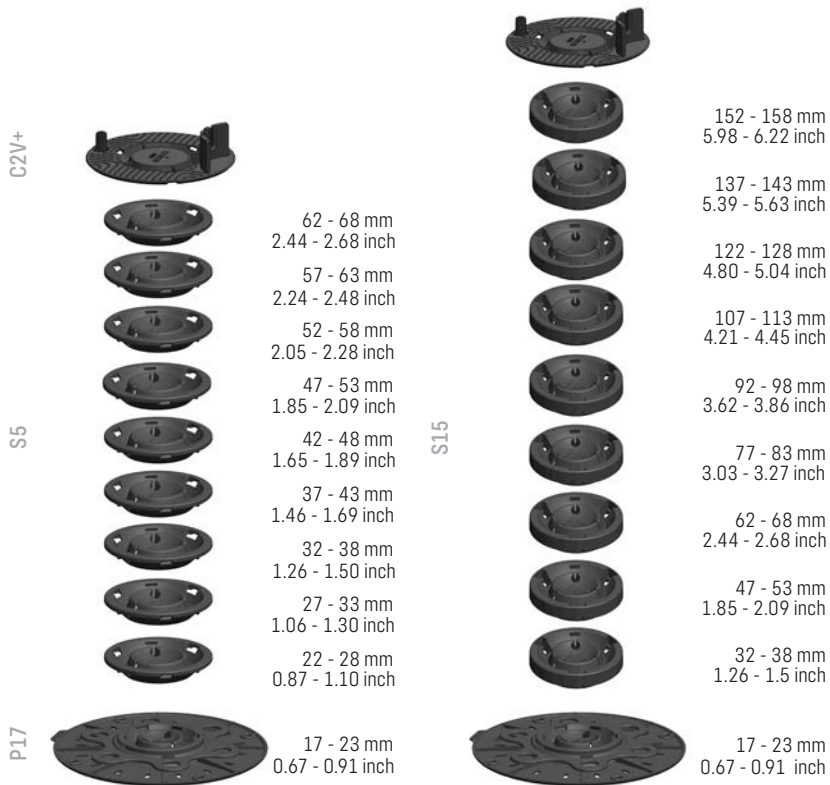
- Each extension piece increases the adjustable terrace pedestal by 50 mm/ 1.79 inch
- Stackable

Height: 50 mm
1.97 inch






























Can be combined with one another

GRAPHIC REPRESENTATION OF HEIGHTS

P17



P30

C2V+							
		75 - 93 mm	2.95 - 3.66 inch				
		70 - 88 mm	2.76 - 3.46 inch				
		65 - 83 mm	2.56 - 3.27 inch				
		60 - 78 mm	2.36 - 3.07 inch				
S5		55 - 73 mm	2.17 - 2.87 inch				
		50 - 68 mm	1.97 - 2.68 inch				
		45 - 63 mm	1.77 - 2.48 inch				
		40 - 58 mm	1.57 - 2.28 inch				
		35 - 53 mm	1.38 - 2.09 inch				
P30		30 - 48 mm	1.18 - 1.89 inch				
							
		165 - 183 mm	6.50 - 7.20 inch				
		150 - 168 mm	5.91 - 6.61 inch				
		135 - 153 mm	5.31 - 6.02 inch				
		120 - 138 mm	4.72 - 5.43 inch				
		105 - 123 mm	4.13 - 4.84 inch				
S15		90 - 108 mm	3.54 - 4.25 inch				
		75 - 93 mm	2.95 - 3.66 inch				
		60 - 78 mm	2.36 - 3.07 inch				
		45 - 63 mm	1.77 - 2.48 inch				
		30 - 48 mm	1.18 - 1.89 inch				
							
		280 - 298 mm	11.02 - 11.73 inch				
		230 - 248 mm	9.06 - 9.76 inch				
		180 - 198 mm	7.09 - 7.80 inch				
		130 - 148 mm	5.12 - 5.83 inch				
S50		80 - 98 mm	3.15 - 3.86 inch				
		30 - 48 mm	1.18 - 1.89 inch				

FIREPROOF PEDESTALS



ISI

FIRESOL ADJUSTABLE PEDESTAL

SOLIDOR, pioneer in adjustable terrace pedestals, launches not only the Comfort range, but also fireproof pedestals under the Firesol range. The Firesol pedestals consist of modular adjustable pedestals, **starting with a minimum height of 35 mm/1.38 inch and can go up to 220 mm/8.66 inch.**

Advantages:

- Fire-free
- Euroclass A1 compliant
- For new construction and renovation projects
- Each has a blocking ring (level controller)
- Modular
- High bearing capacity $\geq 3.000 \text{ kg/m}^2$



ADJUSTABLE TERRACE PEDESTAL



FS 3.5/4.5

Range: 35 - 45 mm
1.38 - 1.77 inch



FS 4.5/6

Range: 45 - 60 mm
1.77 - 2.36 inch



FS 6/8

Range: 60 - 80 mm
2.36 - 3.15 inch



FS 7/10

Range: 70 - 110 mm
2.76 - 4.33 inch



FS 9/14

Range: 90 - 140 mm
3.54 - 5.51 inch



FS 13/22

Range: 130 - 220 mm
5.12 - 8.66 inch

TOP PLATE



FS CPV+

- Supports wooden beams
- Optional fixation along bottom or side
- Is combined with an adjustable pedestals of choice
- Self-centring



**SOLIDOR'S FIREPROOF
PEDESTALS WITH A HIGH
BEARING CAPACITY**



**INNOVATION,
STRENGTH
AND STABILITY
IN ONE SYSTEM
SYSTEMIE**



DEQSOL ALUMINIUM SUPPORT SYSTEM

In addition to the Structusol aluminum support system for tiled terraces, SOLIDOR is now also introducing the Deqsol aluminum support system for the installation of wooden or composite terraces. This is designed to prevent the rotting of underlying beams and extend the lifespan of your terrace.

Compatible with Comfort and Premium terrace pedestals.

Additional benefits associated with this product:

- Rot-resistant
- No deformation of the aluminum system
- Extra stability
- Installation uses C-Clip and C2-Clip top plates, saving time as there is no need to screw into the aluminum beams
- Electrical cables and utilities can be easily placed underneath the terrace
- Enhanced air circulation between wooden or composite terraces through spacers and accessories
- The system features 3 grooves for the attachment of clips using self-tapping screws
- More than 80% of the aluminum in our Deqsol system comes from recycled aluminum.



Compatible with Comfort and Premium terrace pedestals.

SYSTEM

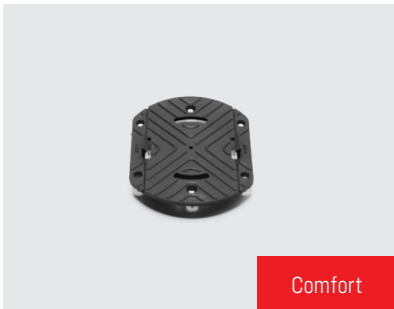


PROFILE

- 2.3 m long
- Made from aluminum with the lowest CO² emissions on the market

Thickness: 30 mm
1.18 inch

TOP PLATES



C-CLIP

- Comfort top plate specially designed to fit the Deqsol profile
- Two holes on the outer sides for cable ties to secure cables to the top plate

Height: 10 mm
0.394 inch



C2-CLIP

- Premium top plate specially designed to fit the Deqsol profile

Height: 10 mm
0.394 inch

ACCESSORIES

CONNECTORS

Frontal connector
FC



Lateral connector
LC



Lateral connector
inox L
LC inox L



No screws visible
on the surface of
the terrace
Solastick



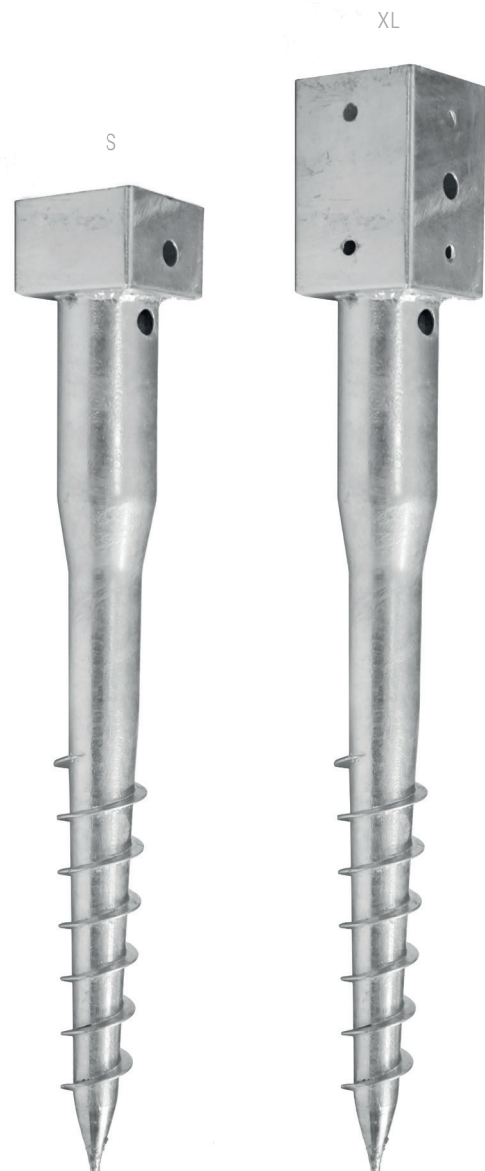
**BRING YOUR
TERRACE TO
THE HIGHEST
LEVEL**



ISI

LIFTSOL FOUNDATION SYSTEM

The Liftsol foundation system offers the possibility to place a terrace on soft surfaces without using concrete. By means of long screws you can make a stable base, which is combined with our adjustable top plates. **The Liftsol foundation system can be used for wooden decks with wooden beams as well as for terraces with tiles using the Structusol support system.**



**100 %
WATER
PERMEABLE**



BOX LIFTSOL XL

Available in box:

- 4x CPV+
- 4x HA5
- 10x F30
- 4x LSR5/8
- 4x Liftsol 65 XL



BOX LIFTSOL S

Available in box:

- 4x CPV+
- 4x HA5
- 10x F30
- 4x LSR5/8
- 4x Liftsol 65 S

PARTS



LSR5/8

- Is combined with a top plate of your choice, a foundation screw and/or accessories

Range: 0 - 35 mm
0 - 1.38 inch



SCHROEF 65 XL

- Ready for use
- No concrete required
- Environmentally friendly
- Quick assembly
- Is combined with an adjustable foundation pedestal

Dimensions: 90 x 90 x 650 mm
3.54 x 3.54 x 25.59 inch
Height: 150 mm
5.91 inch



SCHROEF 65 S

- Ready for use
- No concrete required
- Environmentally friendly
- Quick assembly
- Is combined with an adjustable foundation pedestal

Dimensions: 90 x 90 x 650 mm
3.54 x 3.54 x 25.59 inch
Height: 41 mm
1.61 inch



A3.5/5

- The foundation screw is inserted into this
- Provides additional support for the screw and extra ruggedness of your terrace
- Protects against weeds



EARTH AUGER CONNECTION



ROD FOR FOUNDATION SCREW

QUICK INSTALLATION WITH EXCELLENT LEVELING

STEP 1

Place root cloth and make a cut at the desired location.

STEP 2

Place the A3.5/5 upside down on the cross.

STEP 3

Insert the Liftsol (here XL, also possible with S) and place the earth auger connection in the drilling machine.

> continued on the next page





STEP 4
Drill the screw tight in the cross until only the upper part is visible.

STEP 5
Place the LSR5/8 on the screw

STEP 6
Install the extension pieces and the HA5 on it.

STEP 7
Finish with the desired top plate.

Also possible with quick-dry concrete

GRAVEL STABILISATION



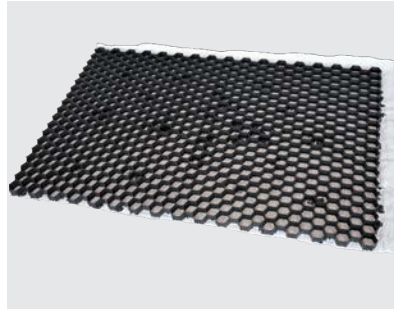
Reference Maxime Tanghe, Wevelgem

VARIANTS



GS 30 WHITE

Dimensions: 120 x 80 x 3 cm
4.72 x 3.15 x 0.12 inch
Pieces per pallet: 75 pieces



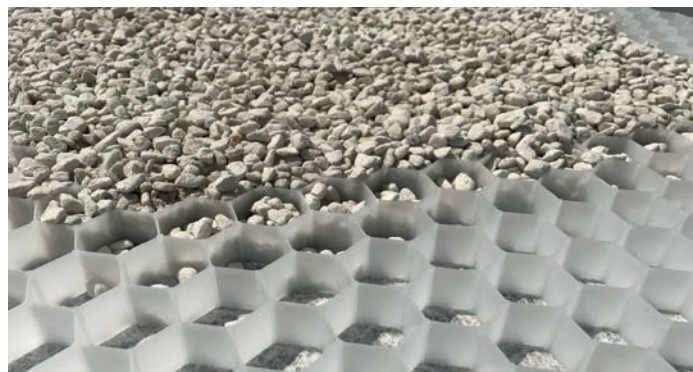
GS 30 BLACK

Dimensions: 120 x 80 x 3 cm
4.72 x 3.15 x 0.12 inch
Pieces per pallet: 75 pieces



Advantages:

- Easy placement
- Natural look
- 100% recycled materiall
- Strong coupling system
- No more trace formation or potholes
- Density geotextile 90 gr/m²
- UV-resistant



QUESTIONS?

Kouterstraat 11 b
8560 Wevelgem
Belgium

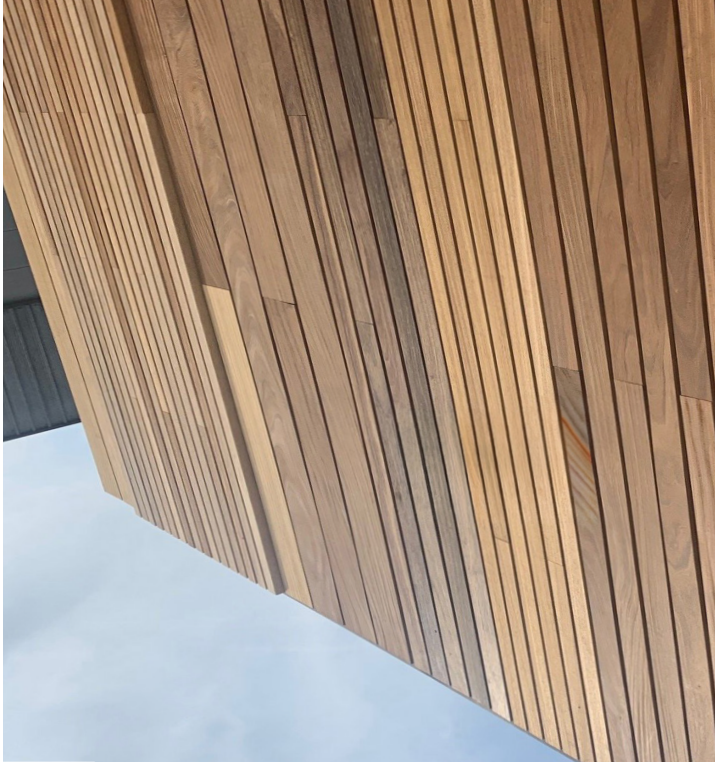
T +32 56 41 35 70
info@solidor.be

solidor.be

dnvii

QUESTIONS?

Kouterstraat 11 b
8560 Wevelgem
Belgium
T +32 56 41 35 70
info@solidor.be
solidor.be



• Is placed at the end of the aluminum profile

CLIPS END PIECE



Joint width: 8 mm
0.315 inch

• Four angled upstands are each slid into provided groove of the wooden shelf

CLIPS SMALL



Joint width: 13 mm
0.512 inch

• Four angled upstands are each slid into provided groove of the wooden shelf

CLIPS MEDIUM



Joint width: 18 mm
0.709 inch

• Four angled upstands are each slid into provided groove of the wooden shelf

CLIPS LARGE



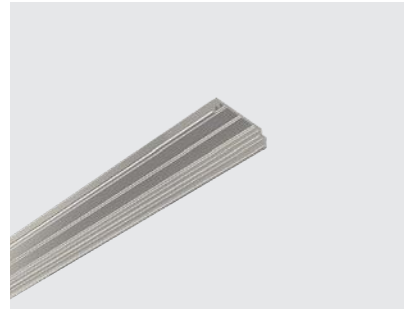
6



Wooden groove
for these clips:

CLIPS

PROFILE FOR WALLS AND CEILINGS




LINUP 12 MM

- Profile height is chosen based on the load-bearing structure.
- Made of 80% recycled aluminum.

Height: 12 mm
0.472 inch

CLIPS


CLIPS MEDIUM



- Four angled upstands are each slid into provided groove of the wooden shelf

Joint width: 6 mm
0.236 inch


CLIPS LARGE



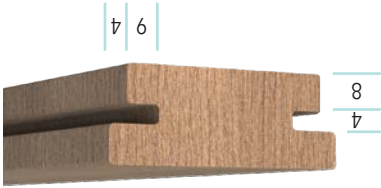
- Four angled upstands are each slid into provided groove of the wooden shelf

Joint width: 11 mm
0.433 inch

CLIPS END PIECE



- Is placed at the end of the aluminum profile



Wooden groove
for these clips:

CLIPS

CONNECTOR

• Serves to connect profiles together



CLIPS END PIECE

• Is placed at the end of the aluminum beam

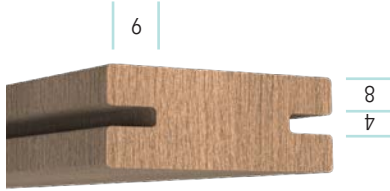


CLIPS TERRACE

• Four angled upstands are each slid into provided grooves of the wooden shelf



Joint width: 5,5 mm
0.217 inch



Wooden groove
for these clips:

- Compatible with the Comfort range Linup profiles
- Top plate designed to accommodate the

C-CLIP LINUP

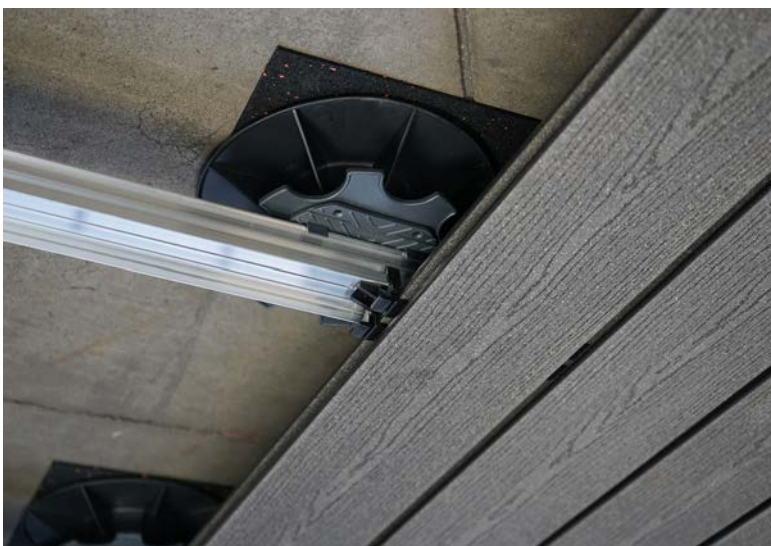
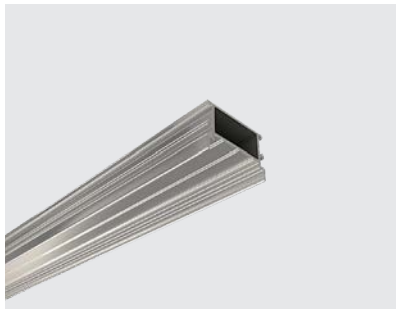


TOP PLATE

Height: 30 mm
1.181 inch

- Profile height is chosen based on the load-bearing structure
- Also used for the installation of terraces
- Made of 80% recycled aluminum

LINUP 30 MM



PROFILE FOR TERRACES



FOR WALLS AND CEILINGS

P.05



FOR TERRACES

P.08



linup

A click & slide system for fixing wooden shelves

SOLIDOR Linup consists of aluminum profiles and clips. With the system you can attach wooden planks to facades in no time, or lay solid wooden terraces on SOLIDOR adjustable terrace pedestals. The clips allow you to create the perfect joint width, while an end piece secures the construction firmly in place.

- Invisible fixation
- Simple Click & Slide System
- The key to limitless wood designs
- Profiles made of 80% recycled aluminum
- Wind- and weather-resistant
- Unlimited joint widths





dnw!