

SOLIDOR

PEDESTALS FOR
TILES



**PIONEER IN
ADJUSTABLE
PEDESTALS
SINCE 1978**



S

A SIMPLE AND MODULAR TERRACE SYSTEM THAT ADAPTS TO ANY SITUATION AND ENVIRONMENT

SOLIDOR produces a solid and aesthetic (outdoor) solution for the installation of terraces on any surface. Our modular terrace pedestals have a high quality finish and are made entirely of durable, low maintenance and environmentally responsible materials.

Thanks to the modular design of the various pieces, the system offers a wide range of possibilities, and it can be used in the most complex situations and environments.

EPD

ENVIRONMENTAL PRODUCT DECLARATIONS: EPD CERTIFICATE

When it comes to sustainability, we like to demonstrate this through our EPD study. EPD is assessed by the FOD Public Service Health and complies with ISO 14025 + EN 15804+A2.

With pride, we have obtained our certificate confirming our minimal CO² impact, as we strive for fully carbon-neutral production. This allows us to evaluate the environmental impact of our adjustable pedestals throughout their entire lifecycle, including production, packaging, installation, and use.



ECOLOGICAL AND RESPONSIBLE

Our terrace pedestals are made of recycled plastics for minimal environmental impact. There is no waste during the production process, and used terrace pedestals can be reused or recycled in in-house production, for a completely circular life cycle.

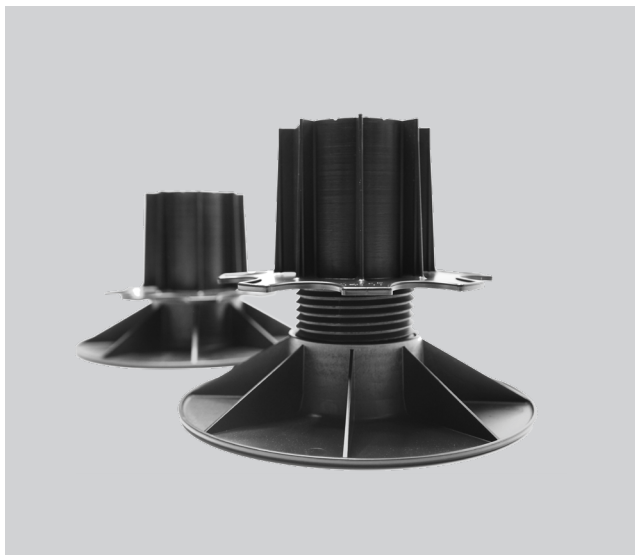
To this end, we have been awarded the Ecovadis bronze certificate in 2022. This certificate is awarded on the basis of a company's degree of sustainability. Our aim is to work even more sustainability in the future. This QR code will give you an idea of our current efforts to contribute to a sustainable world.





MODULAR AND AESTHETIC

SOLIDOR offers a wide range of possibilities with a high standard of finish for the most complex situations and environments. Because the pedestals are infinitely adjustable in height with extreme precision, any terrace can be laid completely level, regardless of the slope or the type of substrate. The system is easy to install without any construction or demolition work, and it also offers the possibility of connecting the patio seamlessly to the building.



TESTED AND PROVEN

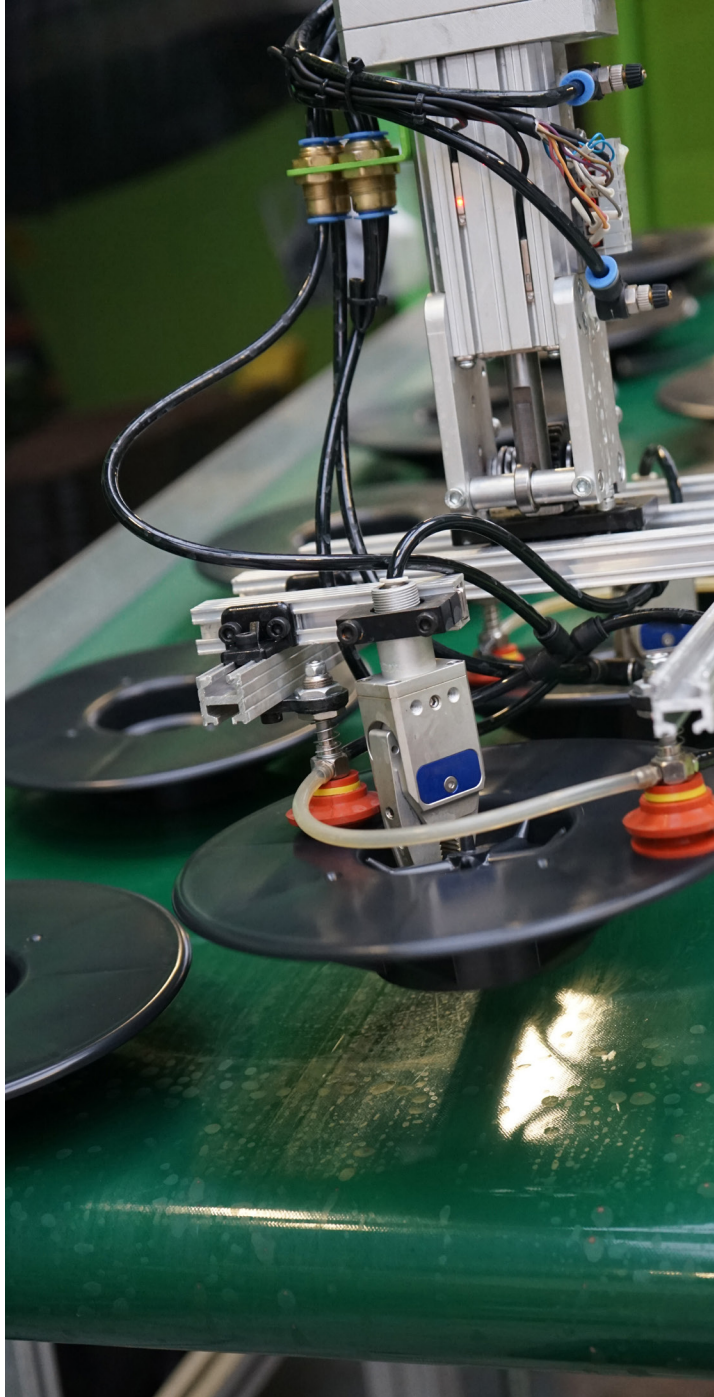
Our adjustable terrace pedestals are a proven system that has been used since 1978 in various outdoor applications. Our systems are continually tested and are stable, wind-resistant and water-permeable. We manufacture them entirely in-house and test them under the most extreme weather conditions. By using plastic, the adjustable terrace pedestals offer good sound insulation and in addition, they are also available in fire-retardant versions.





**IN-HOUSE
PRODUCTION,
FROM A TO Z**









1978

Bernard Dejans and his wife Monique start producing adjustable terrace pedestals.

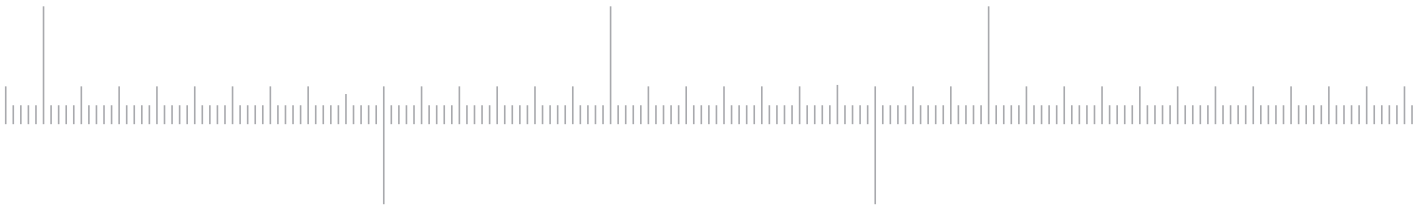


1984

Emmanuel Dejans, son of Bernard and Monique, joins the family business.

2007

Sons Emmanuel and Olivier take over the tasks of Bernard and Monique in the Lauwe branch.



1982

Purchase of the first extrusion line for the production of rubber plastic profiles.

1990

Olivier Dejans, brother of Emmanuel, joins the family business.



2018

Production of flexible and technical plastic profiles moved to new industrial building.



2021

Solidor Rubber and Products is divided into SOLIDOR, RUBIDOR and Dextr.

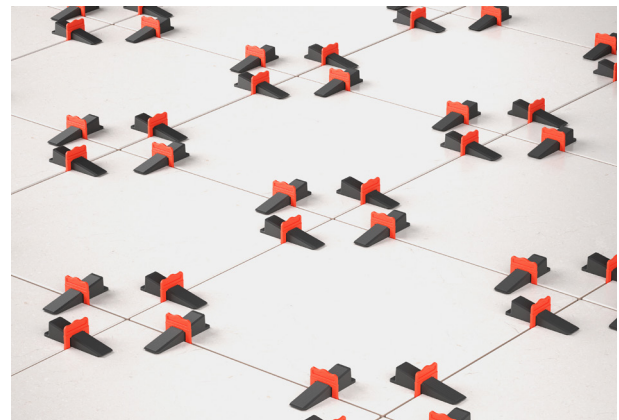
2013

Purchase of office in Wevelgem as an extension to the injection-moulding department.



2024

SOLIDOR is expanding its product range with the production of levelling systems, introduced under the name CRIX range.



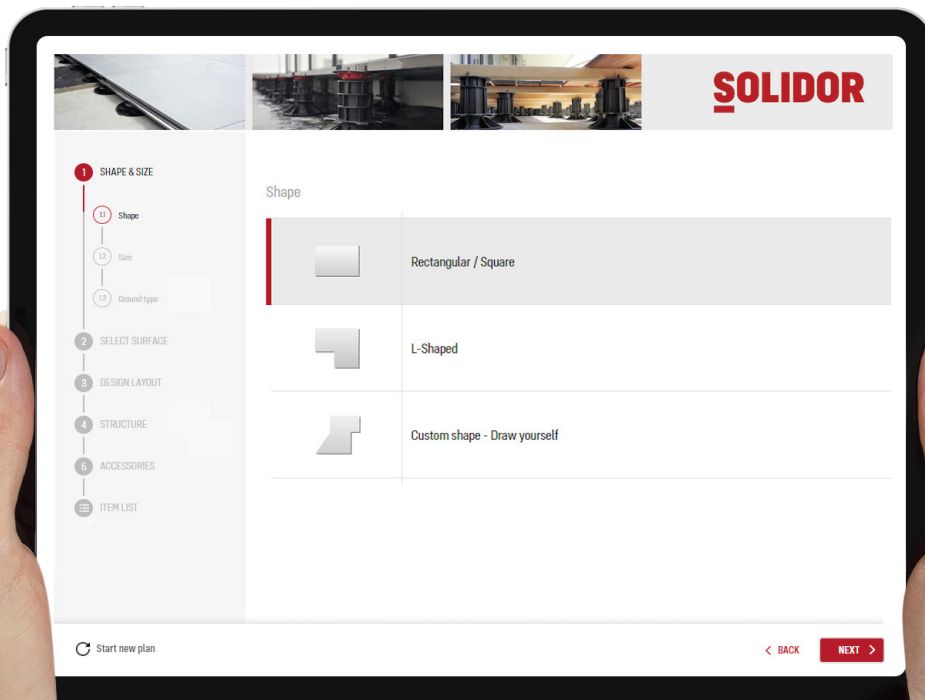
**AVAILABLE
WORLDWIDE**



TERRACE PEDESTAL CALCULATOR

Our calculator will calculate the amount of terrace pedestals and accessories you need for your project.

Discover the app on: calculator.solidor.be



**THE PERFECT
SOLUTION FOR
EVERY TYPE OF
TERRACE**



TERRACE PEDESTALS FOR CONCRETE OR CERAMIC TILES

P. 17



LOW TERRACE PEDESTALS FOR CONCRETE OR CERAMIC TILES

P. 42



FIRESOL FIREPROOF PEDESTALS

P. 50



SIDESOL FINISHING PROFILES

P. 54



STRUCTUSOL ALUMINIUM SUPPORT SYSTEM

P. 58



GRAVIERSOL GRAVEL STABILISATION

P. 70

COMFORT

PREMIUM

FIRESOL

SIDESOL

STRUCTUSOL

GRAVIERSOL

A NEW STANDARD



S
I

COMFORT TERRACE PEDESTALS

The Comfort range for tiles offers modular terrace pedestals, and consists of fixed (from 10 mm/ 0.39 inch) and adjustable terrace pedestals (from 23 mm/ 0.91 inch). The adjustable pedestals are continuously **adjustable in height from 23 millimetres/0.91 in to 1 metre/ 39.37 inch**. The specific components for tiles offer flexibility and modularity, with a high degree of finish.



ADJUSTABLE TERRACE PEDESTALS



PV 2.3/3.5

Range: 23 - 35 mm
0.91 - 1.38 inch



PV 3.5/5

Range: 35 - 50 mm
1.38 - 1.97 inch



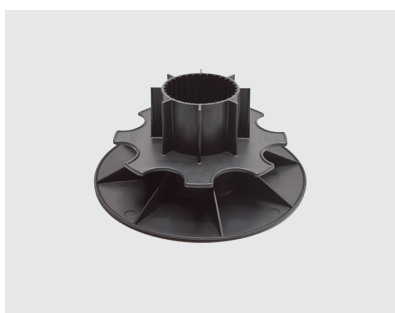
PV 5/8

Range: 50 - 80 mm
1.97 - 3.15 inch



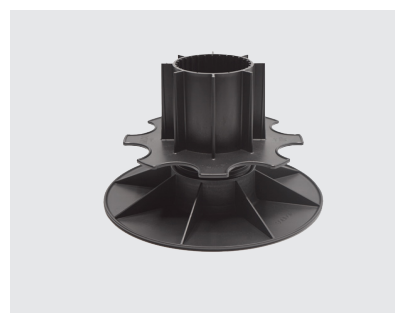
PV 8/11

Range: 80 - 110 mm
3.15 - 4.33 inch



PV 11/14

Range: 110 - 140 mm
4.33 - 5.51 inch



PV 14/17

Range: 140 - 170 mm
5.51 - 6.69 inch

Can be combined with:

- Various top plates p. 21
- Slope correctors p. 25
- Extension pieces p. 26
- Accessories p. 27

ALSO AVAILABLE IN

ADJUSTABLE TERRACE PEDESTALS WALL VERSION



AK 3.5/5

Range: 35 - 50 mm
1.38 - 1.97 inch



AK 5/8

Range: 50 - 80 mm
1.97 - 3.15 inch

The AK pedestals allow to install the tiles perfectly stable against the wall.



IPV

For added damping, the terrace pedestals are provided with a rubber mat. This protective layer is sound and shock absorbing, insulating and provides extra grip.



GV

These terrace pedestals are glass-fibre reinforced and so have added bearing force making them perfectly suitable for heavy structures.



FR

These terrace pedestals are fire retardant and made of flame-retardant material, a property that is often required.

TOP PLATES FOR ADJUSTABLE TERRACE PEDESTALS



C0

- Flat top plate
- Supports tiles larger than 60 by 60 cm/
23.62 inch by 23.62 inch
- Is combined with an adjustable pedestal of choice



C2/4T

- Is combined with an adjustable pedestal of choice
- Upstands height: 10 mm/ 0.39 inch
- Removeable upstands

Joint width: 2 mm
0.08 inch



C3/4T

- Is combined with an adjustable pedestal of choice
- Upstands height: 15 mm/ 0.59 inch
- Removeable upstands

Joint width: 3 mm
0.12 inch



C6/4T

- Is combined with an adjustable pedestal of choice
- Upstands height: 10mm/ 0.39 inch
- Removeable upstands

Joint width: 6 mm
0.24 inch



STICKSOL

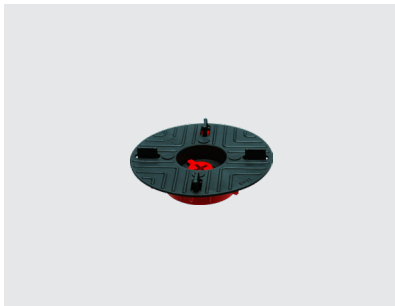
- Sticksol option possible with all Comfort top plates for tiles
- You will find more information about this top plate on the next page

Joint width: 0, 2, 3 or 6 mm
0, 0.08, 0.12 or 0.24 inch



TILEKEY

- Used to adjust the pedestals with the Tilekey top plate after installation.



TILEKEY SLOPE CORRECTOR

- By means of this top plate, the pedestals can always be adjusted afterwards with the Tilekey
- Top plate with automatic slope corrector
- Corrects slope differences up to a maximum of 5%
- Consists of two parts that need to be slid into each other
- Removeable upstands

Joint width: 4 mm



TILEKEY FIX

- With this top plate, the supports can always be adjusted afterward using the Tilekey.
- Fixed top plate.
- Consists of two parts that need to be slid together.
- Removeable upstands

Joint width: 4 mm



**ADJUST TILES
AFTER INSTALLATION
WITH OUR TILEKEY
RANGE**



Reference: Europaschool Bredene

STICKSOL

- Double-sided self-adhesive bitumen fitting piece to prevent tile shifting
- Reduces transmitted noise by 75%
- Supports concrete tiles, ceramic tiles and natural stone
- Is combined with an adjustable pedestal of choice
- Tested in a Voxdale wind tunnel
- Provides a solid terrace



AWARD WINNING SYSTEM

• Sageret élu BTP (FR)



LAY TILES ROCK SOLID WITH OUR PATENTED STICKSOL SYSTEM

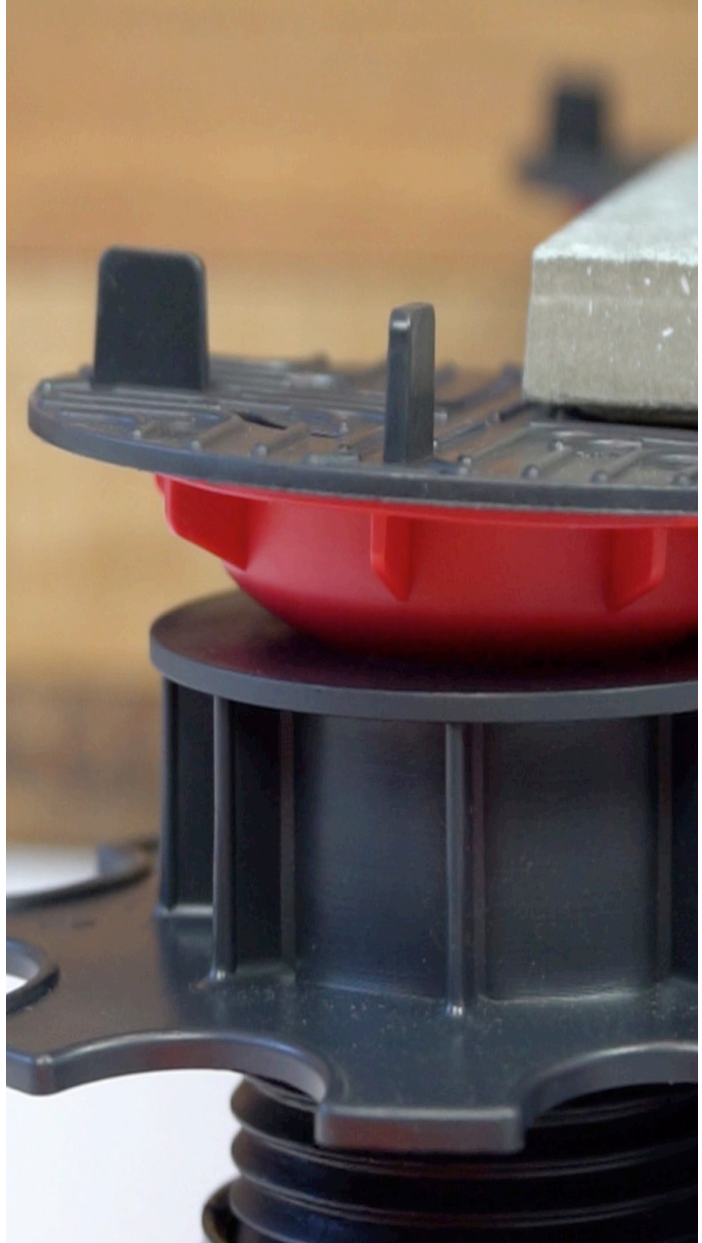
SLOPE CORRECTORS



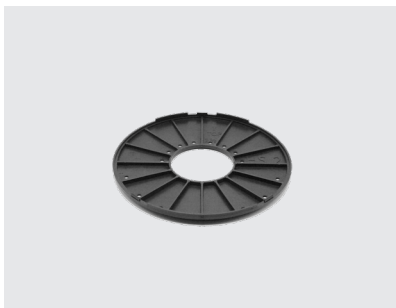
HA5

- Automatic slope corrector
- Improves slope differences up to max. 5%
- Can be combined with various accessories
- HA5 is mounted on the PV

Height: 20 mm
0.79 inch



**CORRECT SLOPE
DIFFERENCES WITH
OUR HA5**



HS2

- Improves slope differences by 2%
- Stackable up to 10%
- Is mounted under the terrace pedestal

EXTENSION PIECES



F30

- Increases the range of a pedestal by 30 mm/ 1.18 inch
- Stackable

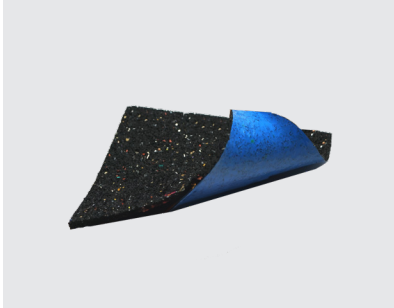


AF100

- Increases the range of a terrace pedestal by 100 mm
- Screwable onto each other
- With threaded connection

Can be combined with one another

ACCESSORIES

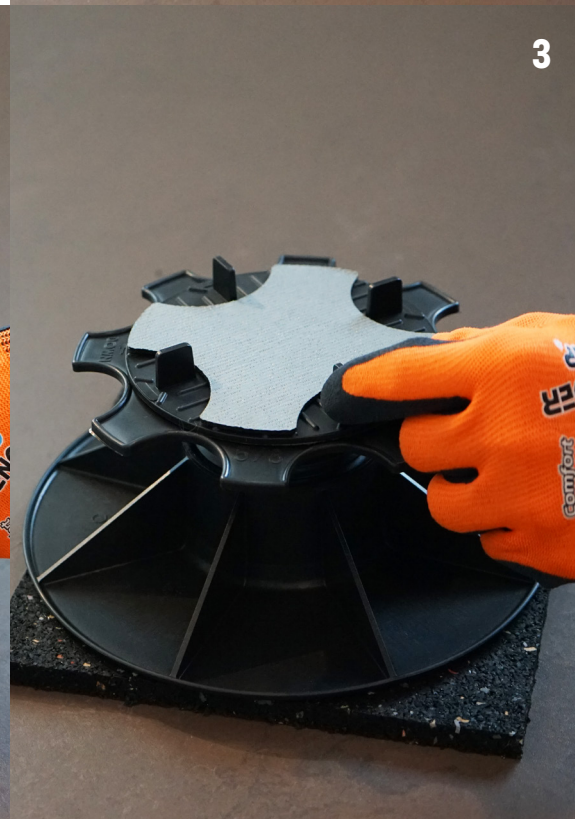


PROTECTIVE RUBBER LARGE + PE-FILM

- Sound-absorbing, cushioning and water resistant protective layer.
- Also available without a PE film layer in 3, 5, or 10 mm/ 0.12, 0.20 or 0.39 inch and is water permeable

Dimensions: 210 x 210 mm
8.27 x 8.27 inch

Thickness: 6 mm
0.24 inch





EPDM SOLID RUBBER ADAPTOR

- Sound-absorbing, cushioning and water resistant protective layer



Thickness: 1,2 or 3 mm
0.04, 0.08 or 0.12 inch



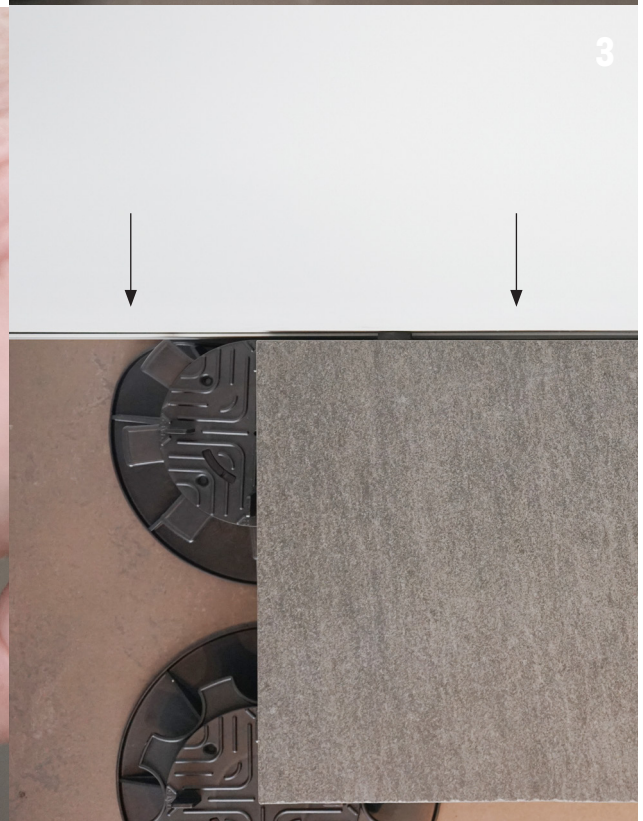
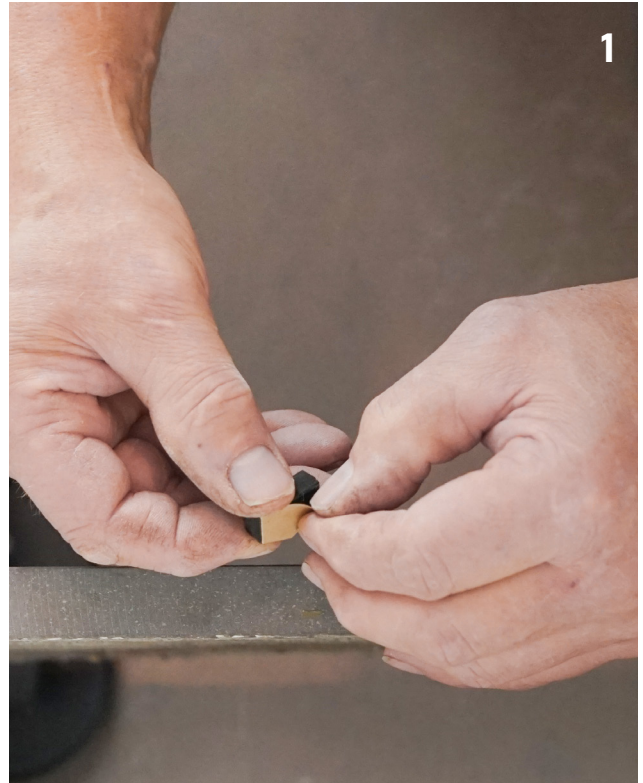
ACCESSORIES



WALL FINISH

- Joint between tile and wall
- Shock absorbing
- Tile + wall protection
- Consistent joint width

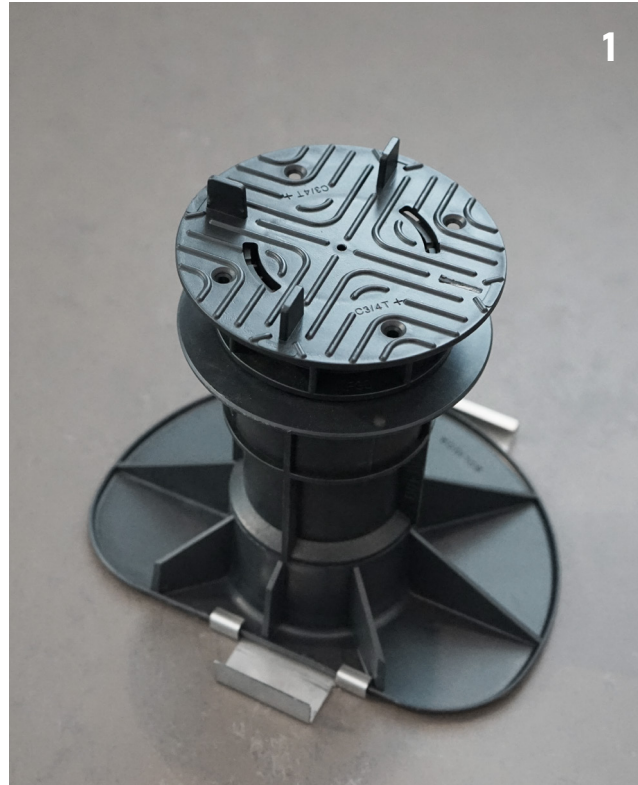
Joint width: 4, 6 or 10 mm
0.16, 0.24 or 0.39 inch



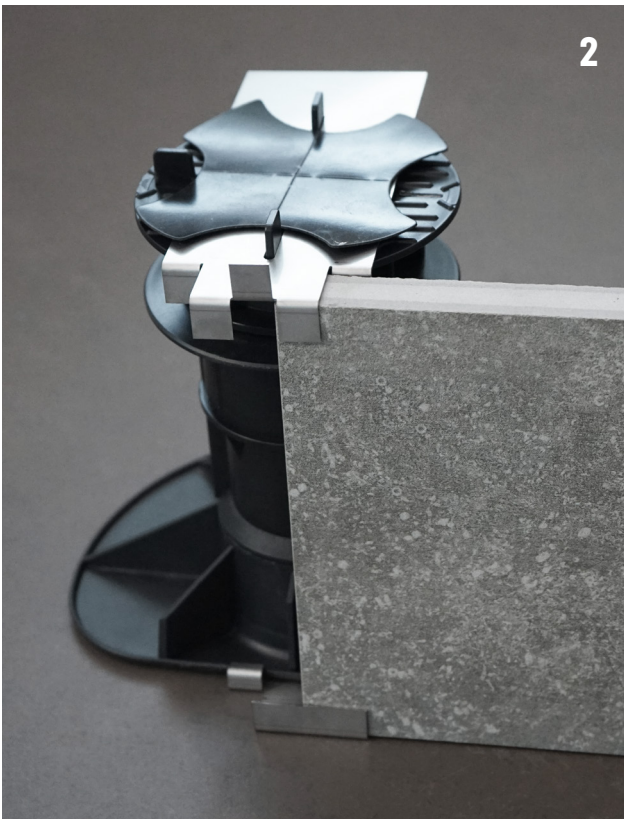


EDGE FINISH

- For placement at the end of a terrace and against walls
- Provides a beautiful edge finish
- Suitable for tiles 20 mm/0.79 inch thick



1



2



3

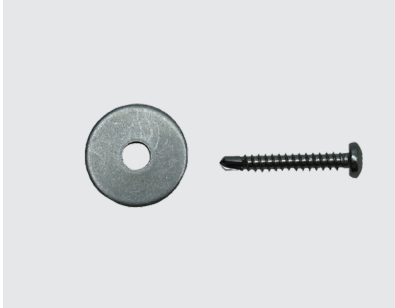
ACCESSORIES



TILELOCK VISIBLE

- Reduces the risk of tiles being lifted by strong wind gusts.
- Installed at the corners of the tile.
- The effectiveness of the Tilelock Visible is enhanced when combined with a Sticksol self-adhesive top plate.
- Secured directly into the pedestal's top plate using the provided screw.
- The ring and screw are made of stainless steel.
- This accessory can be used with both Comfort and Premium terrace pedestals.





TILELOCK INVISIBLE

- Must be fixed in the designated grooves of the tile.
- Reduces the risk of tiles being lifted by strong wind gusts.
- Secured directly into the pedestal's top plate using the provided screw.
- The ring and screw are made of stainless steel.
- This accessory can be used with both Comfort and Premium terrace pedestals.



FIXED TERRACE PEDESTALS



DALSUP

- Stackable

Height: 10 mm
0.39 inch

Joint width: 3 mm
0.12 inch



RC 10 + CIO

- Sound-dampening

Hoogte: 10 mm
0.39 inch

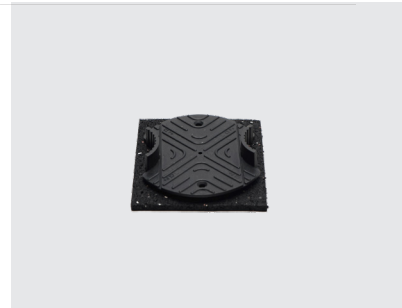


RC 10 + CI3/4T

- Sound dampening.
- Upstands can be broken off if necessary

Height: 10 mm
0.39 inch

Joint width: 3 mm
0.12 inch



RC 10 + CIP+

- Sound-dampening
- Fixed pedestal specially designed for inserting the Structusol Comfort profile

Height: 10 mm
0.39 inch



RC 10 + STICKSOL

- Double-sided self-adhesive bitumen fitting piece to prevent tile shifting
- Reduces transmitted noise by 75%
- Upstands can be broken off if necessary

Height: 10 mm
0.39 inch

Joint width: 3 mm
0.12 inch



RC 14 + CIO

- Sound-dampening

Height: 14 mm



RC 14 + CI3/4T

- Sound dampening.
- Upstands can be broken off if necessary

Height: 14 mm
0.55 inch

Joint width: 3 mm
0.12 inch



RC 14 + CIP+

- Sound-dampening
- Fixed pedestal specially designed for inserting the Structusol Comfort profile

Height: 14 mm



RC 14 + STICKSOL

- Double-sided self-adhesive bitumen fitting piece to prevent tile shifting
- Reduces transmitted noise by 75%
- Upstands can be broken off if necessary

Height: 14 mm
0.55 inch

Joint width: 3 mm
0.12 inch

GRAPHIC REPRESENTATION OF HEIGHTS

F30

STICKSOL



F30



293 - 305 mm
11.54 - 12.01 inch



305 - 320 mm
12.01 - 12.60 inch



320 - 350 mm
12.60 - 13.78 inch



263 - 275 mm
10.35 - 10.83 inch



275 - 290 mm
10.83 - 11.42 inch



290 - 320 mm
11.42 - 12.60 inch



233 - 245 mm
9.17 - 9.65 inch



245 - 260 mm
9.65 - 10.24 inch



260 - 290 mm
10.24 - 11.42 inch



203 - 215 mm
7.99 - 8.46 inch



215 - 230 mm
8.46 - 9.06 inch



230 - 260 mm
9.06 - 10.24 inch



173 - 185 mm
6.81 - 7.28 inch



185 - 200 mm
7.28 - 7.87 inch



200 - 230 mm
7.87 - 9.06 inch



143 - 155 mm
5.63 - 6.10 inch



155 - 170 mm
6.10 - 6.69 inch



170 - 200 mm
6.69 - 7.87 inch



113 - 125 mm
4.45 - 4.92 inch



125 - 140 mm
4.92 - 5.51 inch



140 - 170 mm
5.51 - 6.69 inch



83 - 95 mm
3.27 - 3.74 inch



95 - 110 mm
3.74 - 4.33 inch



110 - 140 mm
4.33 - 5.51 inch



53 - 65 mm
2.09 - 2.56 inch



65 - 80 mm
2.56 - 3.15 inch



80 - 110 mm
3.15 - 4.33 inch

PV2.3/3.5



23 - 35 mm
0.91 - 1.38 inch

PV3.5/5



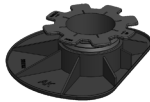
35 - 50 mm
1.38 - 1.97 inch

PV5/8



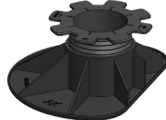
50 - 80 mm
1.97 - 3.15 inch

AK3.5/5

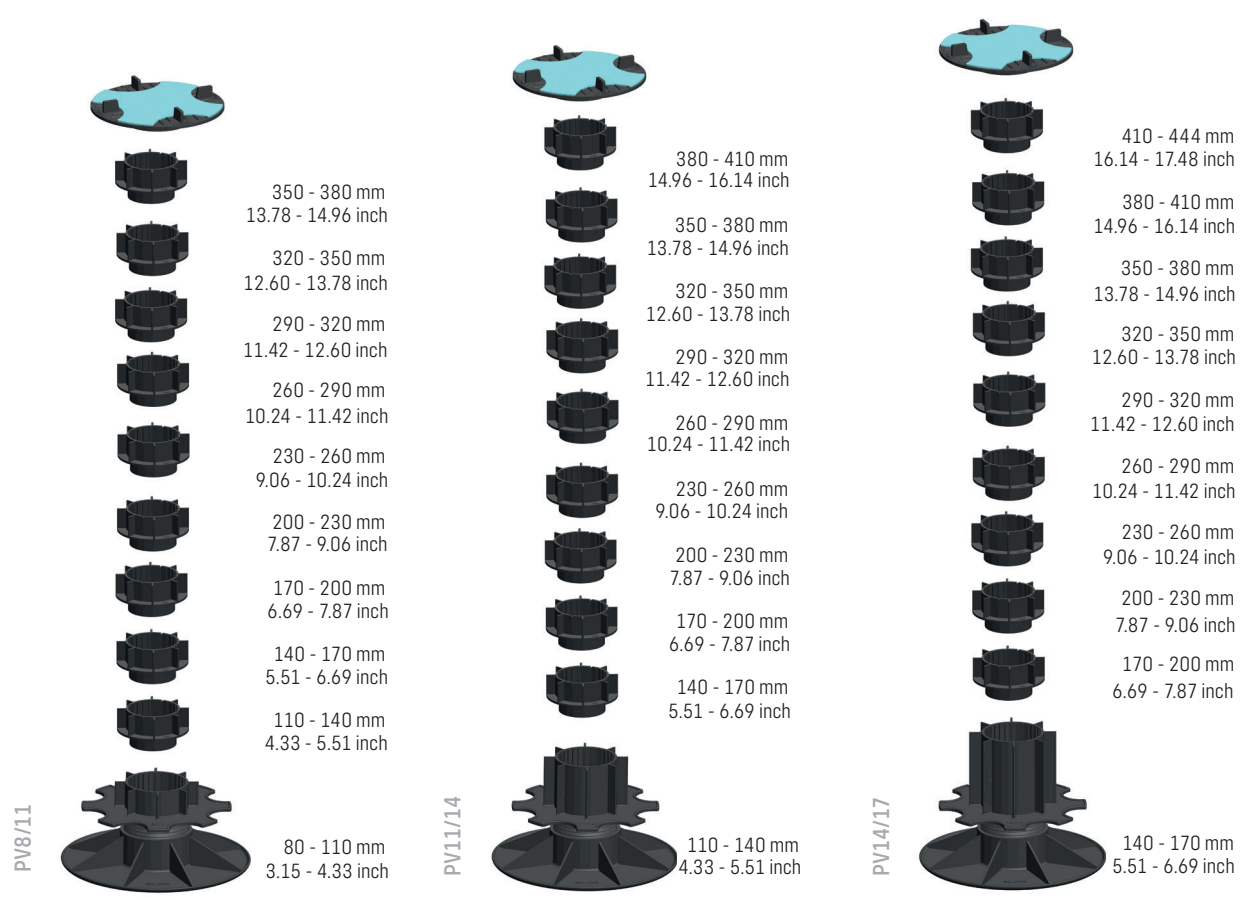


35 - 50 mm
1.38 - 1.97 inch

AK5/8

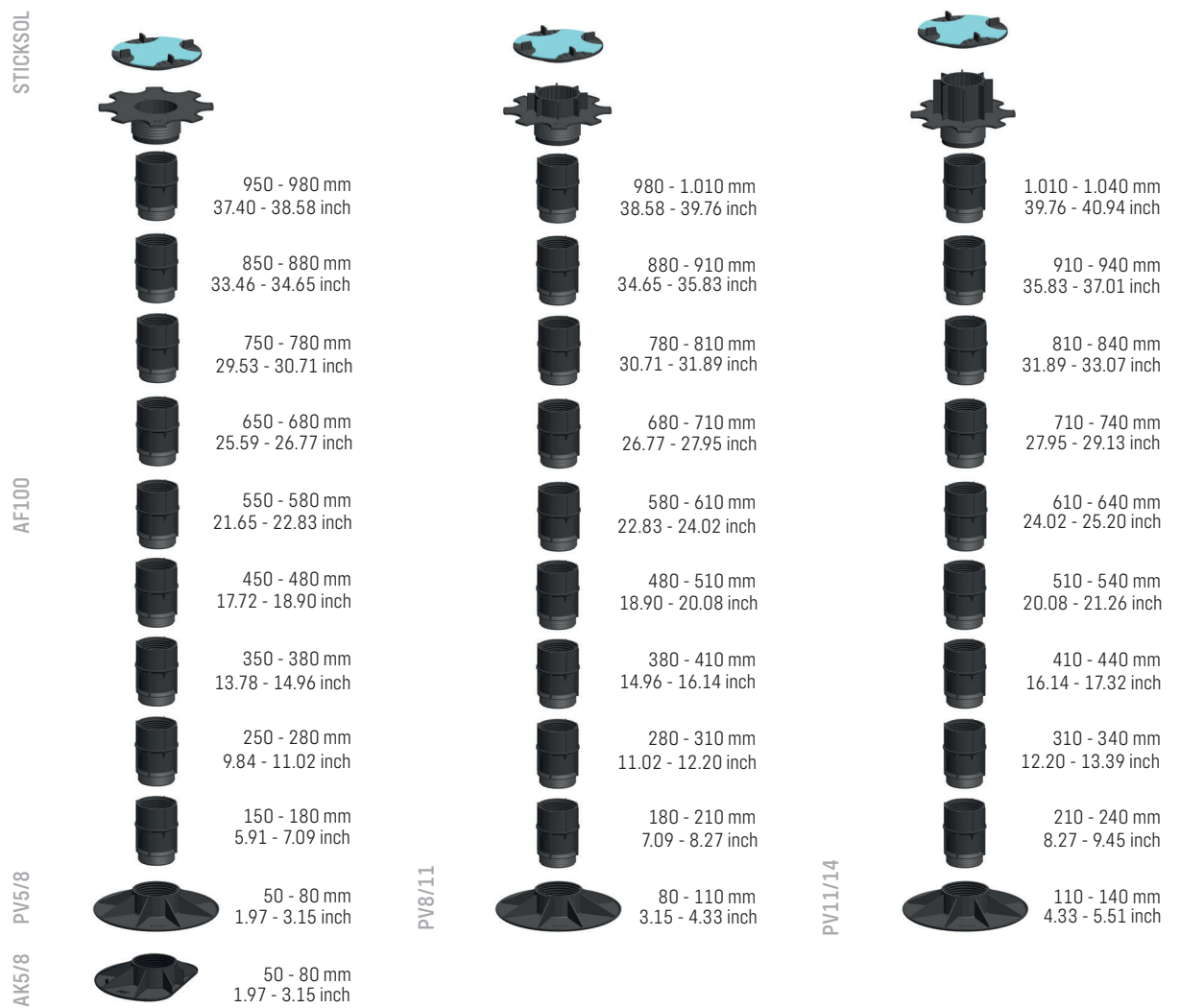


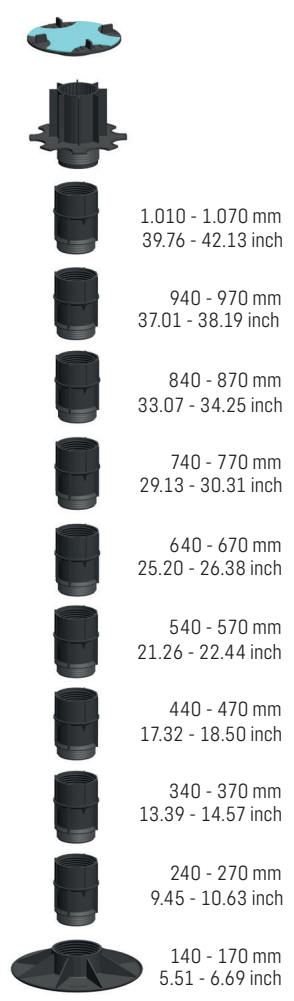
50 - 80 mm
1.97 - 3.15 inch



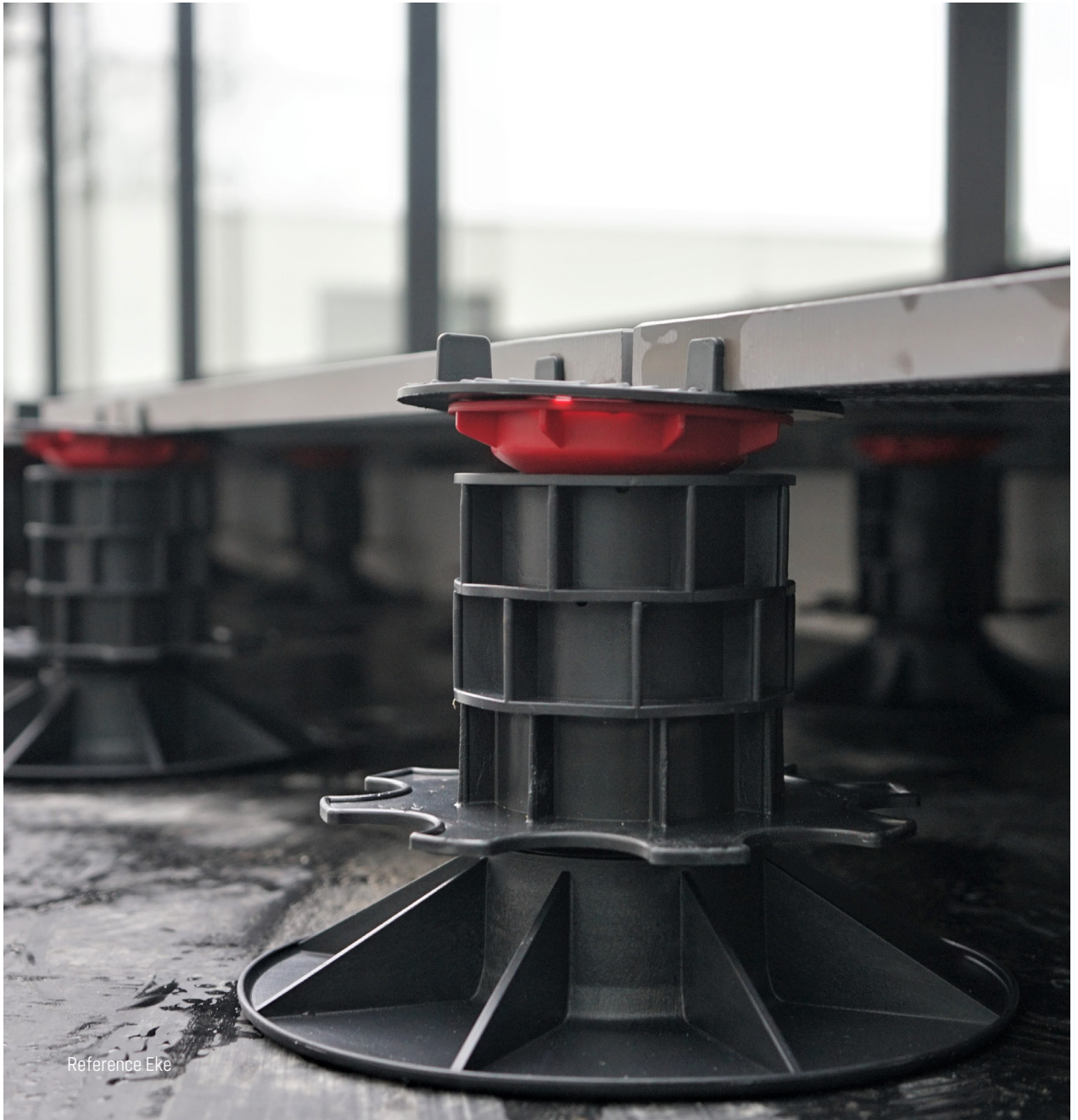
GRAPHIC REPRESENTATION OF HEIGHTS

AF100





PV14/17



Reference Eke



Reference residence Faro Greenpark II, Cadzand

THE STRENGTH OF SMALL



147

SOLIDOR

PREMIUM TERRACE PEDESTALS

Premium introduces in a new generation of adjustable terrace pedestals with minimal dimensions for maximum possibilities. The Premium range consists of a modular system from 17 millimetres/0.67 inch, to 150 millimetres/5.91 inch, a slope corrector, a screw thread with blocking mechanism or additional provisions for attaching the terrace pedestal with glue or screws.

PREMIUM





Reference Newport

ADJUSTABLE TERRACE PEDESTALS



P17

- Provides the answer to low heights
- Is combined with an upper piece of choice

Range: 17 - 23 mm
0.67 - 0.91 inch



P30

- Is combined with an upper piece of choice

Range: 30 - 48 mm
1.18 - 1.89 inch

Can be combined with:

- Top plate p. 45
- Slope corrector p. 45
- Extension pieces p. 46



TOP PLATE



C4T

- Upstands can be broken off if necessary

Joint width: 3 mm
0.12 inch



SLOPE CORRECTOR



E10

- Automatically ensures the correct inclination when placing
- Automatically corrects surface unevenness up to 5%

Height: 10 mm
0.39 inch



EXTENSION PIECES



S5

- Each extension piece increases the adjustable terrace pedestal by 5 mm/ 0.20 inch
- Stackable

Height: 5 mm
0.20 inch

S15

- Each extension piece increases the adjustable terrace pedestal by 15 mm/ 0.59 inch
- Stackable

Height: 15 mm
0.59 inch

S50

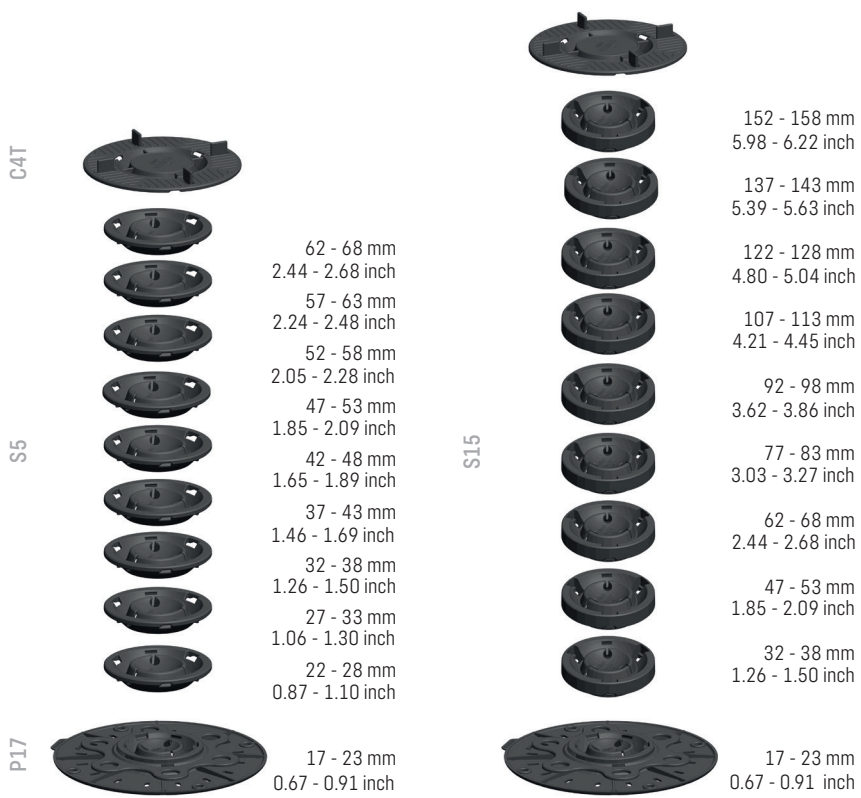
- Each extension piece increases the adjustable terrace pedestal by 50 mm/ 1.97 inch
- Stackable

Height: 50 mm
1.97 inch

Can be combined with one another

GRAPHIC REPRESENTATION OF HEIGHTS

P17



P30

C4T



- 75 - 93 mm
2.95 - 3.66 inch
- 70 - 88 mm
2.76 - 3.46 inch
- 65 - 83 mm
2.56 - 3.27 inch
- 60 - 78 mm
2.36 - 3.07 inch
- 55 - 73 mm
2.17 - 2.87 inch

P30



- 50 - 68 mm
1.97 - 2.68 inch
- 45 - 63 mm
1.77 - 2.48 inch
- 40 - 58 mm
1.57 - 2.28 inch
- 35 - 53 mm
1.38 - 2.09 inch

S5



- 30 - 48 mm
1.18 - 1.89 inch

S15



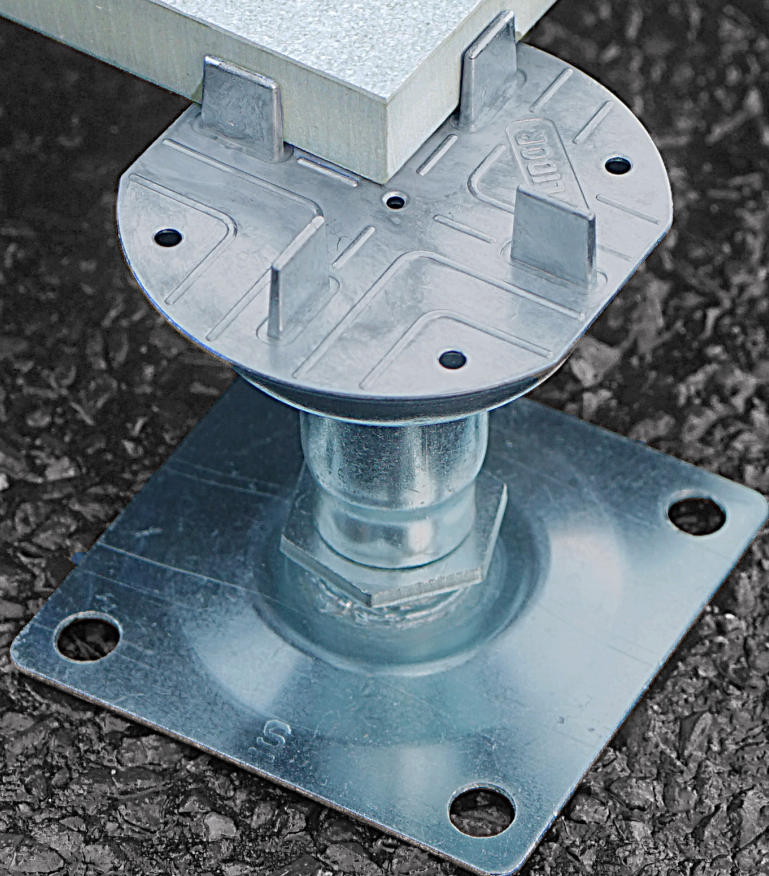
- 165 - 183 mm
6.50 - 7.20 inch
- 150 - 168 mm
5.91 - 6.61 inch
- 135 - 153 mm
5.31 - 6.02 inch
- 120 - 138 mm
4.72 - 5.43 inch
- 105 - 123 mm
4.13 - 4.84 inch
- 90 - 108 mm
3.54 - 4.25 inch
- 75 - 93 mm
2.95 - 3.66 inch
- 60 - 78 mm
2.36 - 3.07 inch
- 45 - 63 mm
1.77 - 2.48 inch
- 30 - 48 mm
1.18 - 1.89 inch

S50



- 280 - 298 mm
11.02 - 11.73 inch
- 230 - 248 mm
9.06 - 9.76 inch
- 180 - 198 mm
7.09 - 7.80 inch
- 130 - 148 mm
5.12 - 5.83 inch
- 80 - 98 mm
3.15 - 3.86 inch
- 30 - 48 mm
1.18 - 1.89 inch

FIREPROOF PEDESTALS



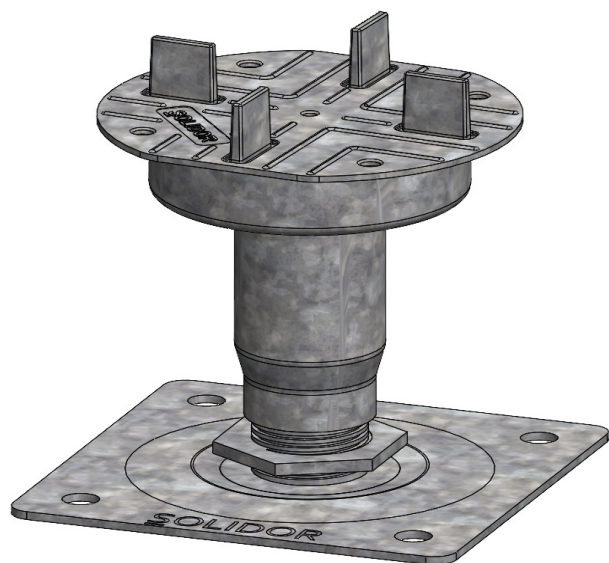
SI

FIRESOL TERRASDRAGERS

SOLIDOR pioneer in adjustable terrace pedestals launches not only the Comfort range, but also fireproof pedestals under the Firesol range. The Firesol pedestals consist of modular adjustable pedestals, **starting with a minimum height of 35 mm/1.38 inch and can go up to 220 mm/8.66 inch.**

Advantages:

- Fire-free
- Euroclass A1 compliant
- For new construction and renovation projects
- Each has a blocking ring (level controller)
- Modular
- High bearing capacity of 3.000 kg/m²



ADJUSTABLE TERRACE PEDESTALS



FS 3.5/4.5

Range: 35 - 45 mm
1.38 - 1.77 inch



FS 4.5/6

Range: 45 - 60 mm
1.77 - 2.36 inch



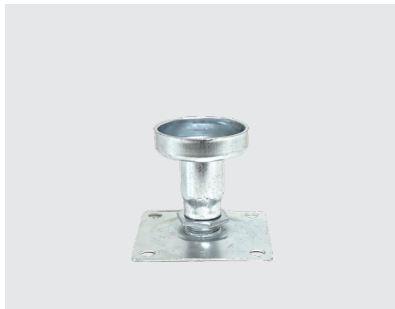
FS 6/8

Range: 60 - 80 mm
2.36 - 3.15 inch



FS 7/10

Range: 70 - 110 mm
2.76 - 4.33 inch



FS 9/14

Range: 90 - 140 mm
3.54 - 5.51 inch



FS 13/22

Range: 130 - 220 mm
5.12 - 8.66 inch

TOP PLATE

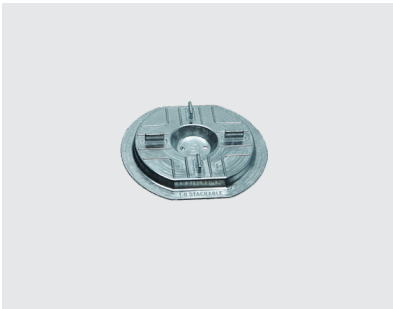


FS C3/4T

• Top plate when using the Firesol-pedestal

Joint width: 3 mm
0.12 inch

FIXED PEDESTAL



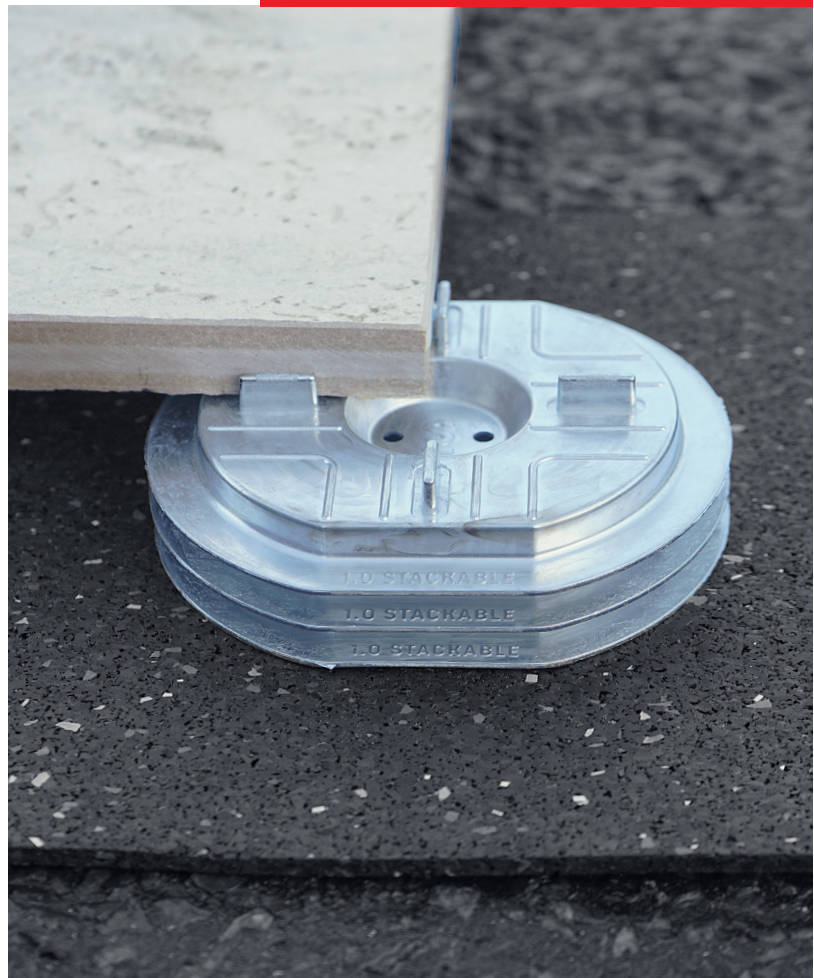
FS DALSUP

• Stackable

Height: 10 mm
0.39 inch

Joint width: 3 mm
0.12 inch

**SOLIDOR'S FIRE-
PROOF PEDESTALS
WITH A HIGH BEAR-
ING CAPACITY**



FINISHING PROFILES

ISI

SIDESOL

"Built to last a lifetime"

The SOLIDOR finishing profiles are specially designed for the edges of terraces built on terrace pedestals. These profiles are fitted between the pedestal and the slab and are available in three colours.

Advantages:

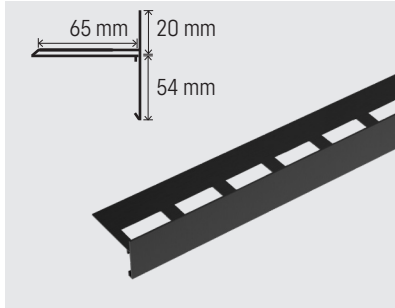
- Quick and easy installation
- Pre-drilled holes in the aluminium for added strength
- Robust and durable material
- Available in three stylish colours and various heights
- Supplied with connectors for seamless installation
- Made from 80% recycled aluminium
- The aluminium is 2 mm thick - unique!



Available in the following colours:



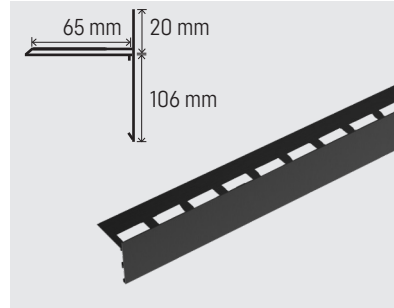
PROFILES



S 74

• Available in three colours

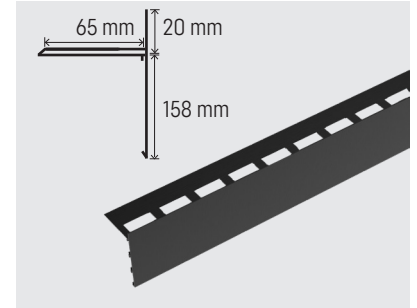
Height: 74 mm
Length: 2,40 m



S 126

• Available in three colours

Height: 126 mm
Length: 2,40 m

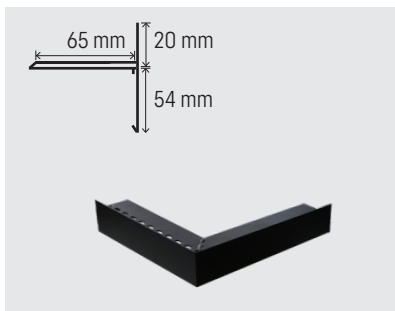


S 178

• Available in three colours

Height: 178 mm
Length: 2,40 m

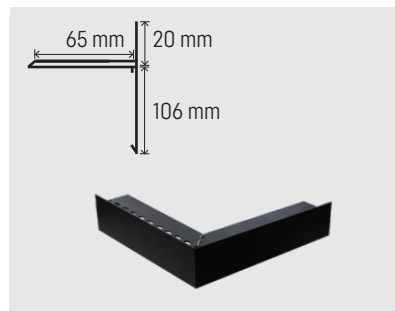
90-DEGREE EXTERNAL CORNER PROFILES



SBU 74

• Available in three colours

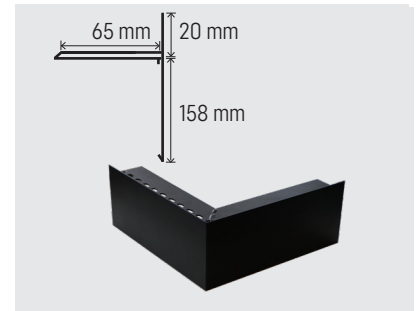
Height: 74 mm
Dimensions: 280 X 280 mm



SBU 126

• Available in three colours

Height: 126 mm
Dimensions: 280 X 280 mm

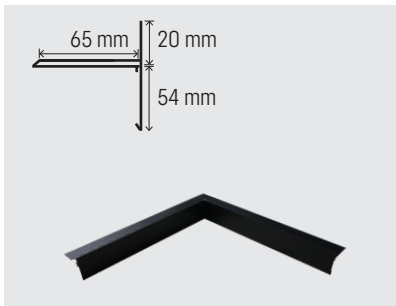


SBU 178

• Available in three colours

Height: 178 mm
Dimensions: 280 X 280 mm

90-DEGREE INTERNAL CORNER PROFILES



SBI 74

• Available in three colours

Height: 74 mm

Dimensions: 280 X 280 mm



SBI 126

• Available in three colours

Height: 126 mm

Dimensions: 280 X 280 mm



SBI 178

• Available in three colours

Height: 178 mm

Dimensions: 280 X 280 mm

CONNECTING PIECE

Available in the following colours:



SC CONNECTOR

- Compatible with any Sidesol profile
- Allow a gap of at least 2.5 mm between adjacent profiles

Length: 100 mm



**INNOVATION,
STRENGTH
AND STABILITY
IN ONE SYSTEM**



STRUCTUSOL ALUMINIUM SUPPORT SYSTEM

You already know the strength of our SOLIDOR terrace pedestals. But we are now adding the innovative aluminium support system.

The result? An extremely stable underlay. Use the various connectors for easy setup and the handy joint pieces for better water management. The stability is ensured by blind rivets.

- Unlimited in terms of tile sizes and installation patterns
- For new construction and renovation projects
- Eliminates slopes and unevenness
- Fast and comfortable placement

Compatible with Comfort and Premium pedestals

Integrated thermoplastic rubbers



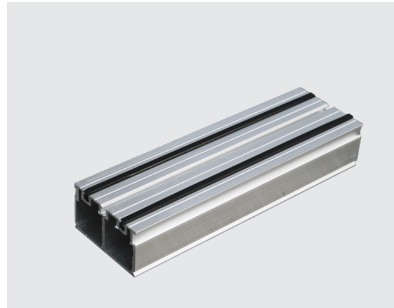
SYSTEMS



STRUCTUSOL

- 2.4 m/ 94.49 inch long
- Made of aluminium with the lowest CO² emissions on the market
- Also available in black lacquered
- 5 adjustable pedestals/ profile

Thickness: 16 mm
0.63 inch

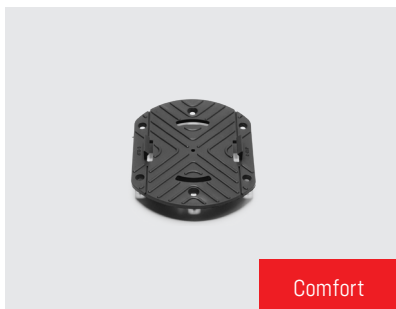


STRUCTUSOL XL

- 2.4 m/ 94.49 inch long
- Made of aluminium with the lowest CO² emissions on the market
- Also available in black lacquered
- 3 adjustable pedestals/ profile

Thickness: 45 mm
1.77 inch

TOP PLATE



Comfort

C-CLIP

- Top plate specially designed for inserting the Structusol Comfort profile
- Two holes on outer sides for cable ties to attach cables to the top plate

Height: 10 mm
0.39 inch



Premium

C2-CLIP

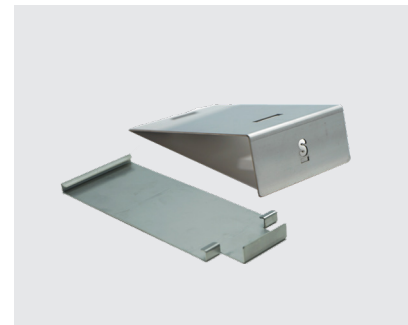
- Top plate specially designed for inserting the Structusol Premium profile

Height: 10 mm
0.39 inch



INOX L

- L-shaped
- Made of stainless steel



STRUCTUSOL EDGE FINISH SYSTEM

- Finishing of terrace with tiles laid parallel with aluminum support system.



ISI

Reference private terrace Saint-Denis

ACCESSORIES






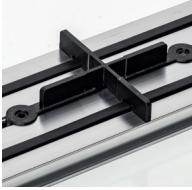










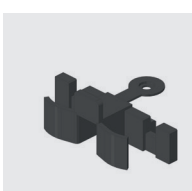

UPWIND PREVENTION

- Specially designed for the Structusol range
- Must be installed in the grooves of the tile
- Reduces the risk of tiles being lifted by strong gusts of wind
Is screwed directly into the aluminum batten using the supplied screw

Joint width: 4 mm



ACCESSORIES

JOINT PIECES	Joint piece C3L			
	Joint piece with cross head (break to size) C2X - joint width 2 mm/ 0.08 inch C3X - joint width 3 mm/ 0.12 inch C6X - joint width 6 mm/ 0.24 inch			
	Joint piece stretcher bond C3T			
CONNECTORS	Frontal connector VF			
	Lateral connector VL			
FRONTAL AND LATERAL FINISH	Frontal wall finish KF			
	Lateral wall finish KL			

AWARD WINNING SYSTEM

- Sageret élu BTP (FR)
- Designregio Kortrijk (BE)

QUICK INSTALLATION WITH EXCELLENT LEVELING

STEP 1

Place the terrace pedestals after determining the direction of the Structusol support structures depending on the laying pattern.

STEP 2

Saw the aluminium supporting structures to size and place them on the terrace pedestals by means of the wall and connecting pieces.

STEP 3

Place the joint pieces and the tiles.
Repeat these steps.





* We recommend fixing the joint pieces with a blind rivet for optimal stability.





Reference SOLIDOR wevelgem

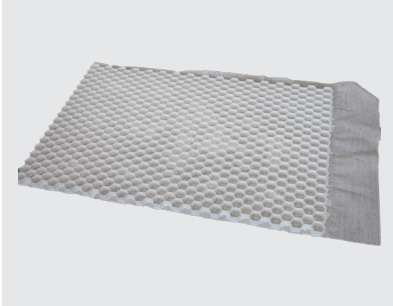


GRAVEL STABILISATION



Reference Maxime Tanghe, Wevelgem

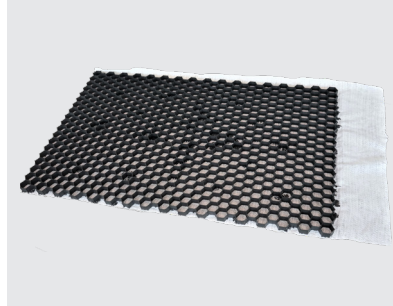
VARIANTS



GS 30 WHITE

Dimensions: 120 x 80 x 3 cm
4.72 x 3.15 x 0.12 inch

Pieces per pallet: 75 pieces



GS 30 BLACK

Dimensions: 120 x 80 x 3 cm
4.72 x 3.15 x 0.12 inch

Pieces per pallet: 75 pieces



Advantages:

- Easy placement
- Natural look
- 100% recycled material
- Strong coupling system
- No more trace formation or potholes
- Density geotextile 90 gr/m²
- UV-resistant



QUESTIONS?

Kouterstraat 11 b
8560 Wevelgem
Belgium

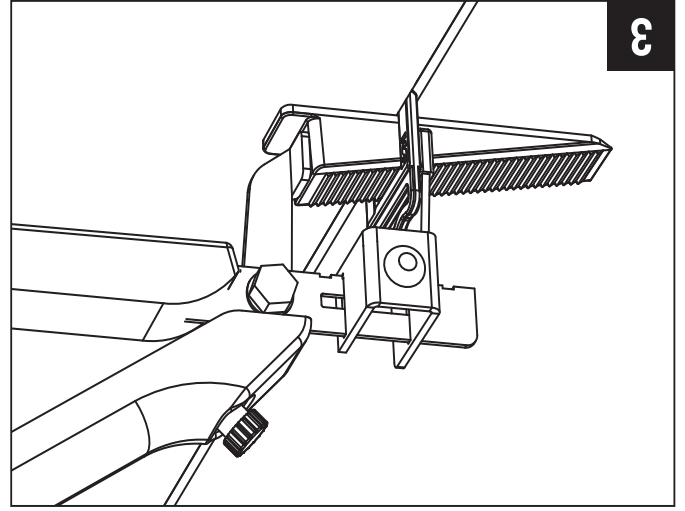
T +32 56 41 35 70
info@solidor.be

solidor.be

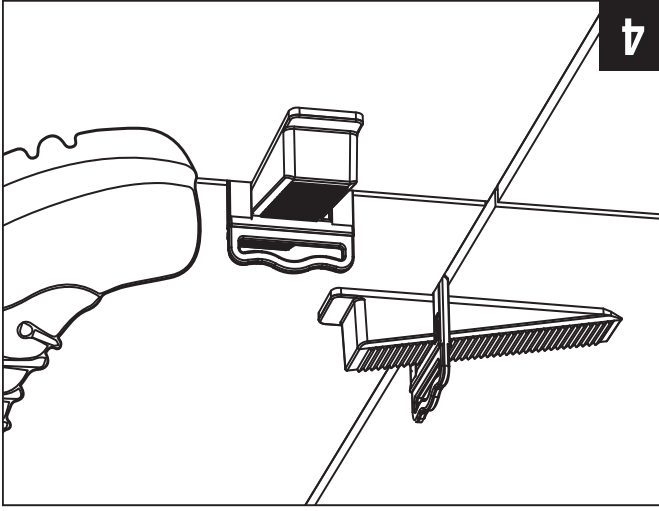


QUESTIONS?

Kouterstraat 11 b
8560 Wevelgem
Belgium
T +32 56 41 35 70
info@solidor.be
solidor.be



3



4

CLIPS



Joint widths of 1 - 1.5 - 2 - 3 mm, suitable for tile thicknesses from 3 to 13 mm or 1/8 to 1/2 inch. Also available are the XL clips, which are 1.5 mm, 3 mm and 5 mm thick and suitable for tile thicknesses of 12-22 mm or 1/2 to 7/8 inch. Optimized for easy clip breakage without leaving residues in the joint, it breaks where it should.

Available in bags of 250/500 pieces. The clips XL are available in bags of 250 pieces.

PLIER



You can easily slide the wedges into the clips with the Crix pliers.

CRIX plier

TILES WITH A THICKNESS OF 3 - 13 MM



CRIX clips 1 mm 1/32 inch

CRIX clips 1,5 mm 1/16 inch

CRIX clips 2 mm 1/13 inch

CRIX clips 3 mm 1/8 inch

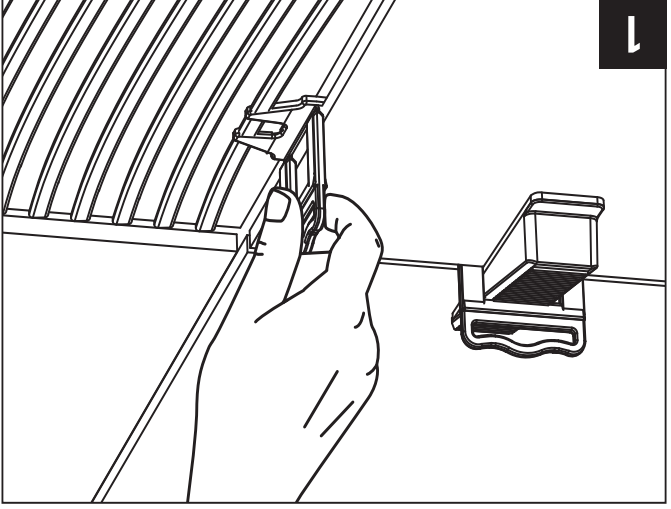
TILES WITH A THICKNESS OF 12 - 22 MM



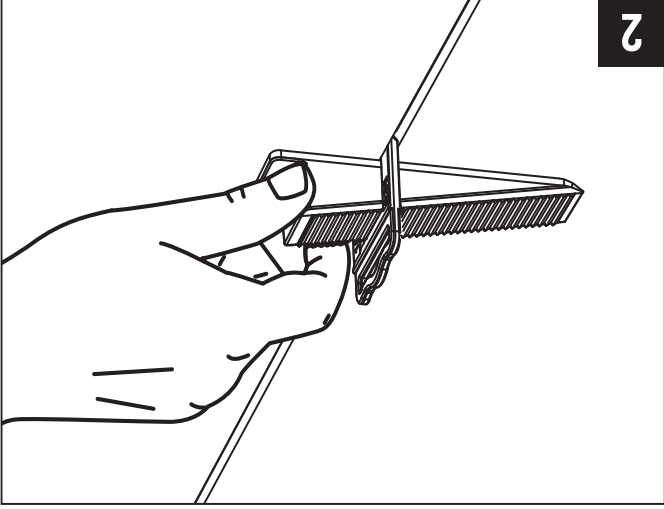
CRIX clips XL 1,5 mm 1/16 inch

CRIX clips XL 3 mm 1/8 inch

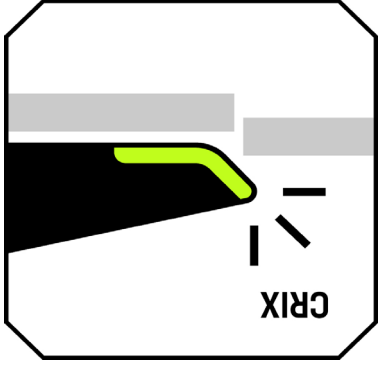
CRIX clips XL 5 mm 3/16 inch



2



WATCH THE PLACEMENT
VIDEO VIA THIS QR-CODE
OR VIA SOLIDOR.BE/EN/
CRIX



A FASTER AND A MORE EFFICIENT INSTALLATION

CRIX®

The patented rounded design prevents interruptions and ensures a faster and more efficient installation. Crix guarantees a flat placement and a seamless finish for tile floors and walls.

Ready for the floor!

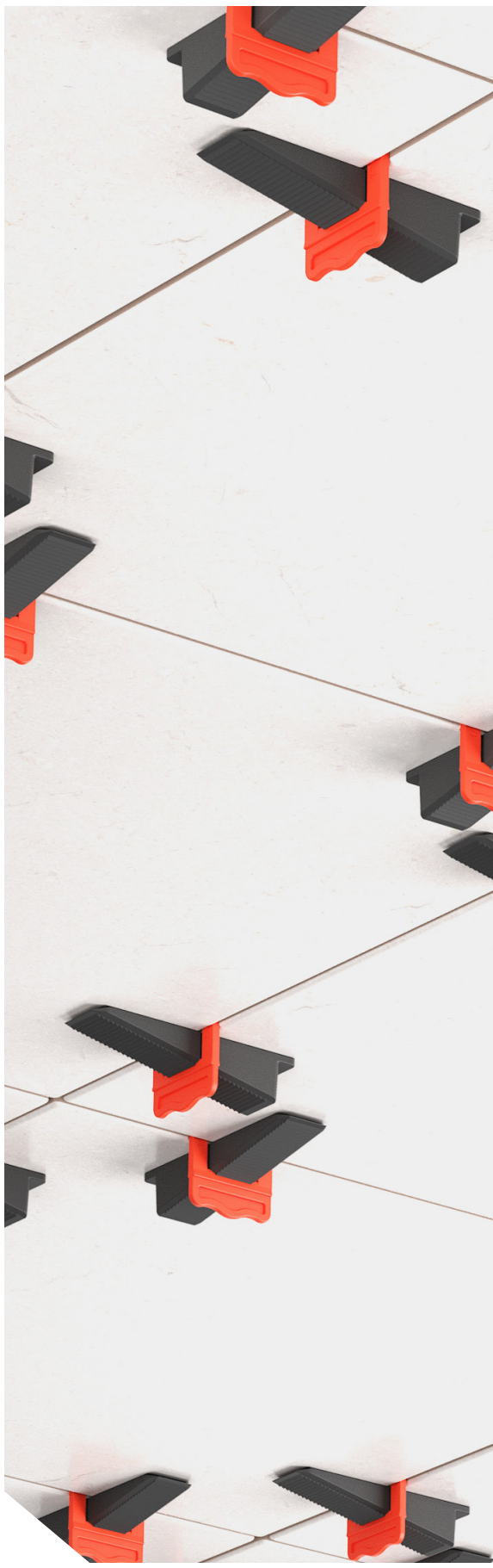


CRIX wedge

WEDGE

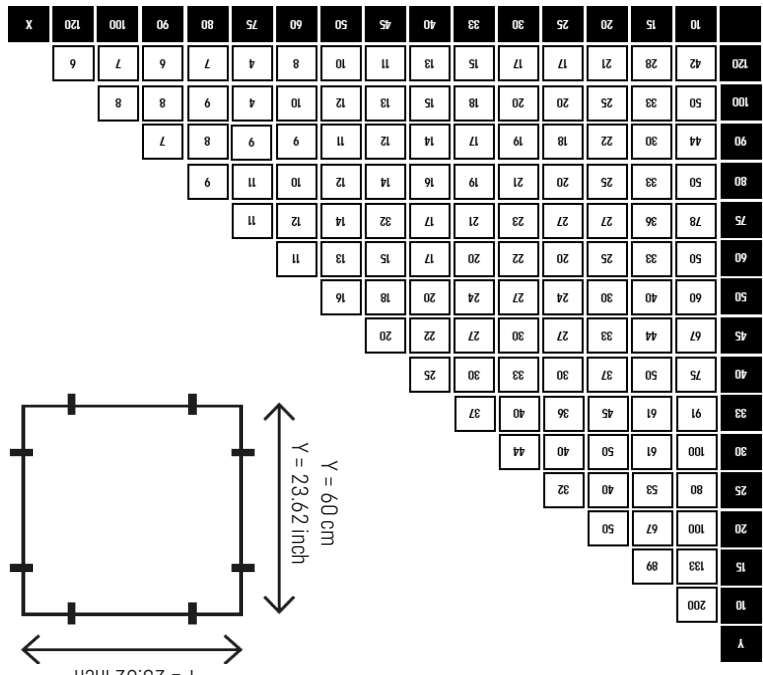
Made from sturdy, durable material designed for long-term use, the patented rounded design prevents interruptions.

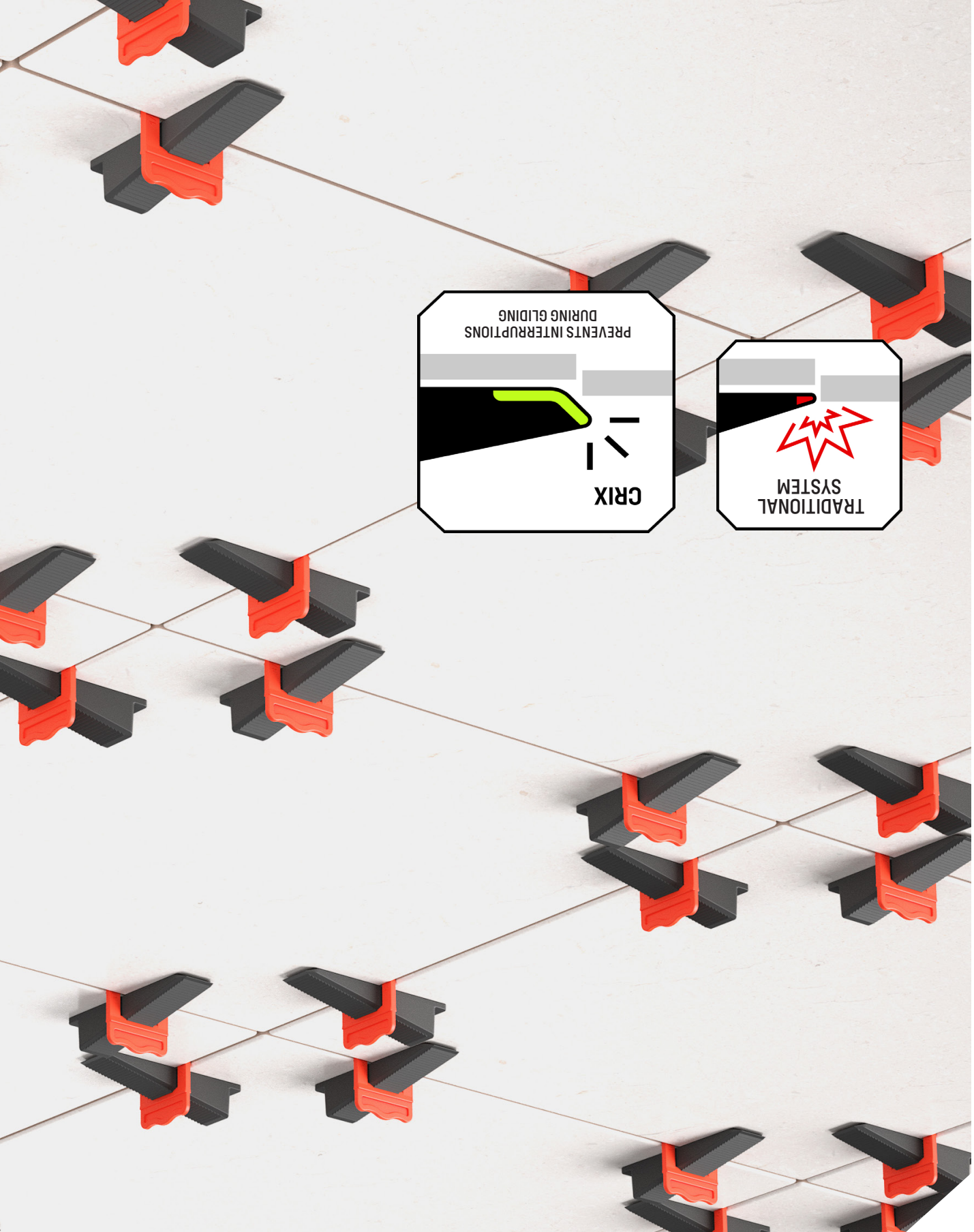
Available in bags of 250 pieces.



**“PERFECT TILES,
EVERY TIME.
REVOLUTIONARY
SIMPLICITY.”**

Use the diagram to calculate the number of clips per square meter.





PRODUCED IN
BELGIUM BY SOLIDOR



CRIX[®]