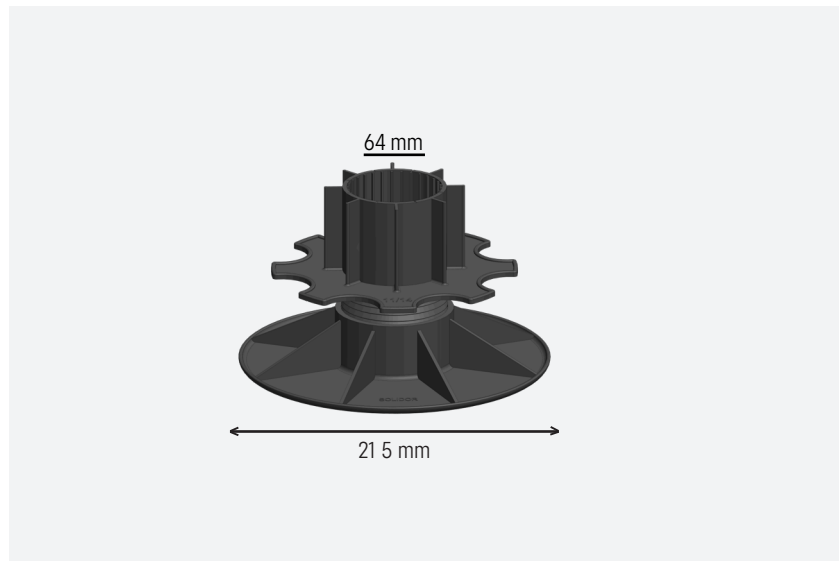


## SPECIFICATIONS

The PV 11/14 is an adjustable pedestal with a range of 110-140mm/4,33-5,51 inch. This pedestal is adjustable by its screw clamping system and consists of two pieces. All top plates and accessories for use with the Comfort range can be placed on this pedestal. The bottom piece has eight vertical reinforcement ribs and 4 holes. The top piece of the Comfort pedestal has eight blocking ribs.

Colour	Black
Support area	300 cm <sup>2</sup>
Outside diameter	215 mm
	8,46 inch
Weight	271 g /piece
Adjustable height	110-140 mm
	4,33-5,51 inch



Recycled material



Weatherproof



Resistant to temperatures between -25 and +70°C



PP compound



Compliant with the DTU standard 43.1 and 51.4



Capacity: 2.400 kg/m<sup>2</sup>

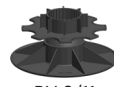


Tested on Broof T4 and BFL-S1

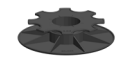
## OTHER PEDESTALS



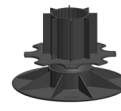
PV 2.3/3.5



PV 8/11



PV 3.5/5



PV 14/17



PV 5/8

## PEDESTALS WALL VERSION



AK 3.5/5



AK 5/8

## TOP PLATES

### For tiles



C2/4T



C3/4T



C6/4T



STICKSOL

### For wood



CPV+



CO

### Other

## ACCESSORIES

### Extension piece



F30



AF100

### Slope corrector



HS2



HA5

### Fitting pieces



1 - 3 mm

### Tilelock visible



### Tilelock invisible



## PACKAGING

### Bag

Dimensions	1.450 x 750 mm
	5,51 x 29,53 inch
Gross weight	6,1 k g
Quantity	40 pieces/bag

### Pallet

Dimensions	1.200 x 1.100 x 2.000 mm
	47,24 x 43,31 x 78,74 inch
Gross weight	1 64 kg
Quantity	14 pieces/bag – 560 pieces



## LOAD/M<sup>2</sup>

### Wood

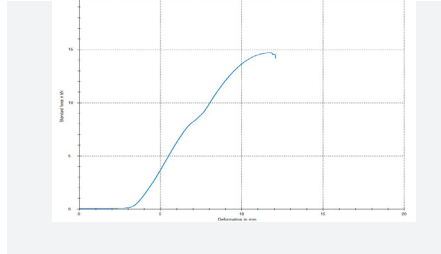
Every 600 mm l/w	1.350 kg/m <sup>2</sup>
Every 500 mm l/w	2.400 kg/m <sup>2</sup>
Every 400 mm l/w	3.750 kg/m <sup>2</sup>

### Tiles

600 x 600 mm (2,25 pcs/m <sup>2</sup> )	1.350 kg/m <sup>2</sup>
500 x 500 mm (4,00 pcs/m <sup>2</sup> )	2.400 kg/m <sup>2</sup>
400 x 400 mm (6,25 pcs/m <sup>2</sup> )	3.750 kg/m <sup>2</sup>

## PRESSURE TEST (ZWICK)

1.450 kg



Discover here our  
contribution to a sustainable  
world:



The calculation is valid with proper placement and installation without extension pieces. For a taller construction with extension pieces, these results are not applicable. A minimum of 1.5 threads must be threaded into the pedestal.

